



General:	Assembled by A&I Manufacturing, Inc. Environmentally safe.
Operation:	Tubular motor concealed inside roller tube.
Motor:	Totally enclosed, insulated, thermal-overload protection, brake, permanently lubricated bearings, limit switch.
Tube drive:	PA6 plastic.
Idle End:	Made from glass fiber reinforced PA6.
Crown:	ABS plastic.
Tube:	1 1/2", 2", 2 3/8" diameter hollow extruded aluminum(6063-T5) tube.
Motor Insert Plate:	4 1/16" x 7", cold rolled steel ASTM A1008, Zinc plated.
Idle End Insert Plate:	4 1/16" x 7", cold rolled steel ASTM A1008, Zinc plated.
Square Fascia:	7 1/4" x 2 13/16" extruded aluminum, 6063-T5. Colors White, Bronze, Alabaster, Anodized, Black.
Brackets:	5 1/2" x 5 3/16", cold rolled steel ASTM A1008, Zinc plated. Wall or ceiling mount. Colors White, Bronze, Alabaster, Anodized, Black.
Fascia End Cap:	ABS, square, colors to match fascia. Colors White, Bronze, Alabaster, Anodized, Black.
Internal Hembar:	1/8"x1" extruded aluminum 6063-T5 flat stock.
External Hembar:	1 3/6"x9/16" rectangle, 1 1/2"x3/8" rectangle extruded aluminum 6063-T5. Colors: White, Bronze, Alabaster, Anodized, Black. Available at additional cost.
Fabric:	B/O, 1%, 3%, 5%, 8%, 10%, Translucent openness in various colors.
Control:	RTS wall Switch, hand held RTS remote, wired wall switch.
Sizes:	Outside mounted roller shades will be made to exact ordered measurements. Inside mounted roller shades will have 1/8" deducted at the factory from finished width. See Product Limits.

Product Limits

Controls (Manual)	Min. Width	Max. Width	Min. Drop	Max. Drop
Motor Left	26"	176"	18"	240"
Motor Right	26"	156"	18"	240"

⚠ WARNING ⚠ ADVERTENCIA



Cords on window covering products present a potential strangulation hazard.



Las cuerdas y cadenas y persianas presentan un peligro de estrangulación.



For child safety, consider cordless alternatives or products with inaccessible cords.



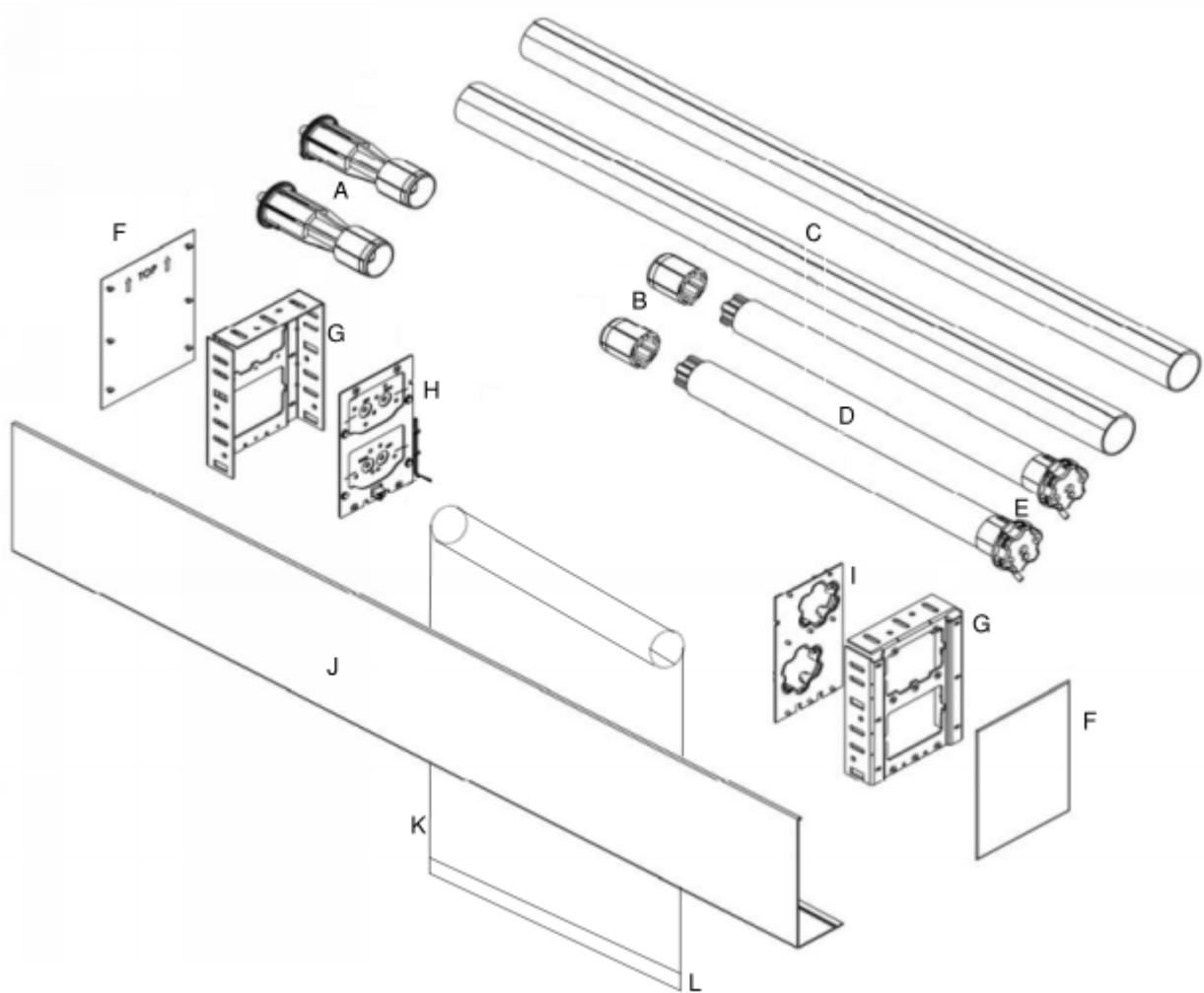
Para la seguridad de los niños, considere alternativas sin cuerdas o productos con cuerdas y cadenas inaccesibles.

SAFLAB-3 04/2013

ANSI/WCMA 5.1.4

SAFLAB-3 04/2013

ANSI/WCMA 5.1.4



- A: Idle End
- B: Tube Drive
- C: Tube
- D: Motor
- E: Crown
- F: Fascia End Cap
- G: Bracket
- H: Idle End Insert Plate
- I: Motor Insert Plate
- J: Square Fascia
- K: Fabric
- L: Enclosed Hem Bar