



General:	Assembled by A&I Manufacturing, Inc. Environmentally safe.
Head Rail:	1" x 1.5"x .024" Steel. Treated to resist corrosion. Baked-on paint, color coordinated to slats.
Bottom Rail:	Sculpted .024" Steel. Treated to resist corrosion. Baked-on paint, color coordinated to slats.
Slats:	Aluminum Heat Treated and Tempered, 1" wide x .008 thick.
Valance:	Double Slat with clips to mount.
Tilter:	Shall be of worm gear construction, enclosed in housing of engineering polymer; gear and shaft shall be of engineering polymer with slip clutch mechanism. May be positioned at right or left with or without cord lock.
Tilt Rod:	Shall be solid steel with corrosion resistant finish.
Tilt Wands:	Shall be extruded, clear solid acrylic wand.
Cord lock:	Shall be of Snap-In-Design and incorporates stainless steel wear guard over which cords pass and a floating type locking pin. Locking pin shall be free of abrasive teeth and offer minimum wear to the cord.
Lift Cords:	Shall be two-ply polyester cord filler and braided polyester jacket.
Braided Ladders:	Shall be 100% polyester yarn color coordinated with the slats. Spacing shall not be more than 22.5 mm (approximately 17 slats per foot of drop).
Installation Brackets:	1 9/16" x 1 3/8" x 1 7/8" x.042 thick steel box brackets. Blinds over 48" shall have intermediate supports.
Tassel:	Shall comply with all safety requirements.
Sizes:	Outside mounted window coverings will be made to exact ordered measurements. Inside mounted horizontal blinds will have 1/2" deducted at the factory from width. See Product Limits.

Product Limits

Controls (Manual)	Min. Width	Max. Width	Min. Drop	Max. Drop
Tilt Only-Center of Head Rail	5"	132"	6"	*126"
Split Controls-[L/R or R/L]	9 1/2"	132"	6"	*126"
Same Side Controls-[L/L or R/R]	9 1/2"	132"	6"	*126"

Maximum Sq. Footage *126 Sq. Ft. Under Warranty

* Exceptions Available Upon Request

WARNING **ADVERTENCIA**



Cords on window covering products present a potential strangulation hazard.



Las cuerdas y cadenas y persianas presentan un peligro de estrangulación.



For child safety, consider cordless alternatives or products with inaccessible cords.



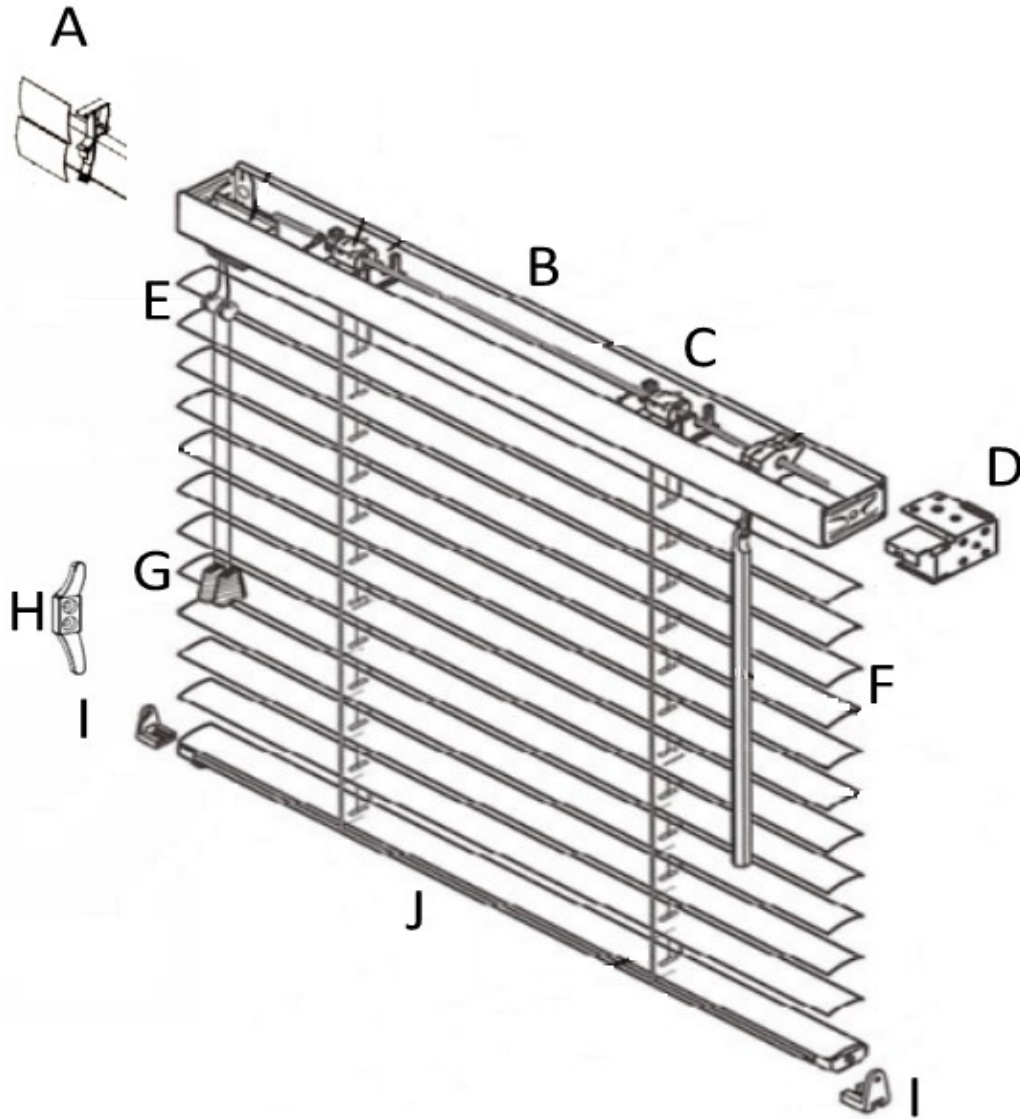
Para la seguridad de los niños, considere alternativas sin cuerdas o productos con cuerdas y cadenas inaccesibles.

SAFLAB-3 04/2013

ANSI/WCMA 5.1.4

SAFLAB-3 04/2013

ANSI/WCMA 5.1.4



- A: 2 Slat Valance
- B: Headrail
- C: Tilter
- D: Bracket
- E: Break Away Safety Tassel
- F: Tilt Wand
- G: Tassel
- H: Cord Cleat
- I: Hold Down
- J: Bottomrail



Commercial Contract Color Options (Check One)

M1001 Shimmering White

M1004 Igloo

M1007 Polar Bear

M1022 Coconut