



<b>General:</b>	Assembled by A&I Manufacturing, Inc. <b>Environmentally safe.</b>
<b>Operation:</b>	Tubular motor concealed inside roller tube.
<b>Motor:</b>	Totally enclosed, insulated, thermal-overload protection, brake, permanently lubricated bearings and limit switches.
<b>Idle End:</b>	Made from glass fiber reinforced PA6.
<b>Tube:</b>	1 1/2", 1 3/4" hollow extruded aluminum(6063-T5) tube.
<b>Square Fascia:</b>	Square front, 3 3/4"x 1 9/16" extruded aluminum(6063-T5). Colors: White, Bronze, Alabaster, Anodized, Black.
<b>Back Fascia:</b>	Square front and back, 3 3/4"x1/2" extruded aluminum(6063-T5). Colors: White, Bronze, Alabaster, Anodized, Black. Optional
<b>Ceiling Mount Bracket:</b>	2 3/4" x 3 11/16" x 1 1/8", Zinc plated, cold rolled steel ASTM A1008.
<b>Wall Mount Bracket:</b>	3 1/32" x 3 7/32" x 1 1/8", Zinc plated, cold rolled steel ASTM A1008.
<b>Fascia End Cap:</b>	ABS, square. Colors: White, Bronze, Alabaster, Anodized, Black.
<b>Internal Hembar:</b>	1/8"x1" extruded aluminum 6063-T5 flat stock.
<b>External Hembar:</b>	1 3/6"x9/16" rectangle, 1 1/2"x3/8" rectangle extruded aluminum 6063-T5. Colors: White, Bronze, Alabaster, Anodized, Black. Available at additional cost.
<b>Fabric:</b>	B/O, 1%, 3%, 5%, 8%, 10%, Translucent openness in various colors.
<b>Control:</b>	RTS wall switch, hand held RTS remote, wired wall switch.
<b>Sizes:</b>	Outside mounted roller shades will be made to exact ordered measurements. Inside mounted roller shades

**Product Limits**

Control (Motor)	Min. Width	Max. Width	Min. Drop	Max. Drop
Motor Left or Right	18"	144"	18"	240"

**WARNING**      **ADVERTENCIA**



Cords on window covering products present a potential strangulation hazard.



Las cuerdas y cadenas y persianas presentan un peligro de estrangulación.



For child safety, consider cordless alternatives or products with inaccessible cords.



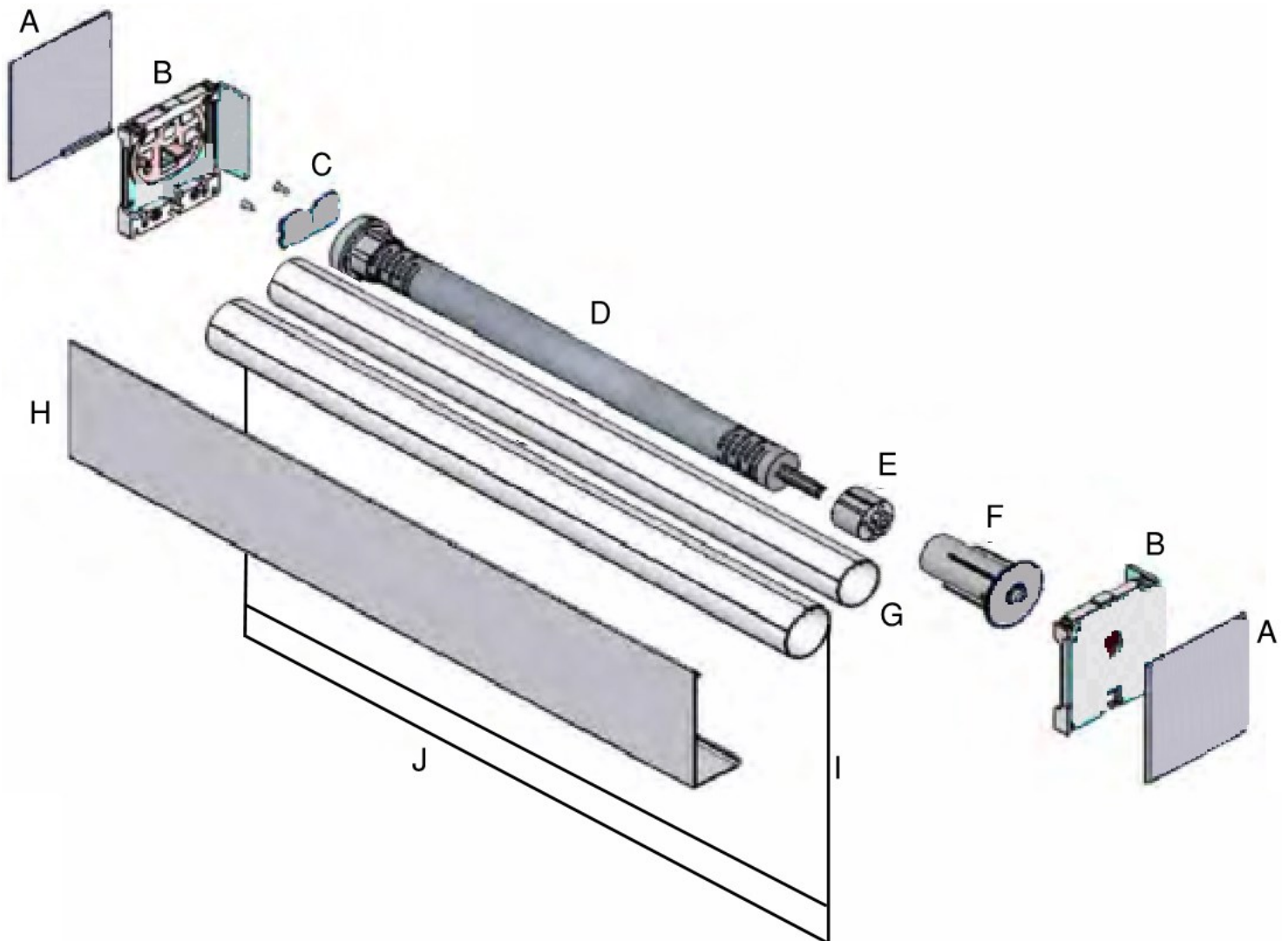
Para la seguridad de los niños, considere alternativas sin cuerdas o productos con cuerdas y cadenas inaccesibles.

SAFLAB-3 04/2013

ANSI/WCMA 5.1.4

SAFLAB-3 04/2013

ANSI/WCMA 5.1.4



- A: Fascia End Caps
- B: Bracket
- C: Motor Mount Bracket
- D: Motor
- E: Motor Drive
- F: Idle End
- G: Roller Tube
- H: Fascia
- I: Fabric
- J: Enclosed Hembar