

Verticals

Product Information	C1-C2
Colors Charts	C3-C4
Pricing Charts	C5-C7
Samples	C8
Measuring Instructions	C9
Install Instructions	C10
Warranty	C11
Parts & Pieces	Reference

Product Information

Standard Shade Includes

1500 System

- Cord and Chain Control
- One Way Stack Left, One Way Stack Right, Center Open
- Shades 48" and under; 2 Brackets. For shades 49" to 78"; 3 Brackets. For Shades 79" to 108"; 4 Brackets. For Shades 109" to 136"; 5 Brackets. For Shades 136" to 156"; 6 Brackets. For shades 157" and above; 7 Brackets.

1600 System

- Wand Control, Tilt
- One Way Stack Left, One Way Stack Right, Center Open
- Shades 48" and under; 2 Brackets. For shades 49" to 78"; 3 Brackets. For Shades 79" to 108"; 4 Brackets. For Shades 109" to 136"; 5 Brackets. For Shades 136" to 156"; 6 Brackets. For shades 157" and above; 7 Brackets.

4000 - Vertislim

- Cord and Chain Control
- One Way Stack Left, One Way Stack Right, Center Open
- Shades 48" and under; 2 Brackets. For shades 49" to 78"; 3 Brackets. For Shades 79" to 108"; 4 Brackets. For Shades 109" to 136"; 5 Brackets. For Shades 136" to 156"; 6 Brackets. For shades 157" and above; 7 Brackets.

4500 - Vertislim

- Wand Control, Tilt
- One Way Stack Left, One Way Stack Right, Center Open
- Shades 48" and under; 2 Brackets. For shades 49" to 78"; 3 Brackets. For Shades 79" to 108"; 4 Brackets. For Shades 109" to 136"; 5 Brackets. For Shades 136" to 156"; 6 Brackets. For shades 157" and above; 7 Brackets.

Finished Dimensions

Inside Mount	
Finished Width	-1/2"
Finished Height	- 3/8"
Outside Mount	
Finished Width	Exact Measurement Provided

Mounting Requirements

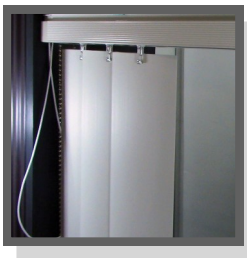
1500 System	
Inside minimum mounting depth	1 1/4"
Inside minimum mounting depth, flush mount *	2"
Outside minimum for flat surface	1 3/8"
1600 System	
Inside minimum mounting depth	1 1/4"
Inside minimum mounting depth, flush mount *	2"
Outside minimum for flat surface	1 3/8"
4000 Vertislim	
Inside minimum mounting depth	1 1/4"
Inside minimum mounting depth, flush mount *	2"
Outside minimum for flat surface	1 3/8"
4500 Vertislim	
Inside minimum mounting depth	1 1/4"
Inside minimum mounting depth, flush mount *	2"
Outside minimum for flat surface	1 3/8"

* Flush mount refers to the headrail and does include the valance

Upgrades and Surcharges

Description	Additional Cost	Description	Additional Cost
Fiberglass Wand - 12", 30", 48", 60"	178	Headrail & Components - 1600 System	48
Fiberglass Wand - 120"	258	Angled Verticals	295
Custom Cut Wand	119	Headrail & Components - 4000 Vertislim	59
Headrail & Components - 1500 System	48	Headrail & Components - 4500 Vertislim	59

Vertical Options



1500 System



1600 System

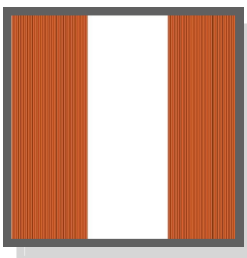


4000 Vertislim

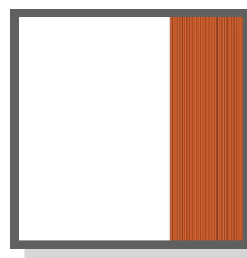


4500 Vertislim

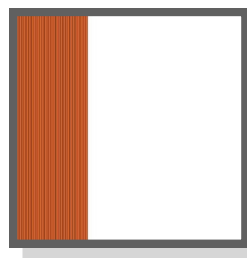
Stack Options



Center Open



One Way
Stack Right



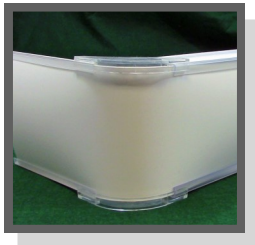
One Way
Stack Left

Product Information

Valance Options



Standard Valance Square Corners



Standard Valance Rounded Corners



Dust Cover Valance



Executive Valance

Warranted Product Limits

	Width		Drop	
	Min	Max	Min	Max
1500 System (1-way)	9	192	10	144
1500 System (Center Open)	12	192	10	144
1600 System (1-way)	12	120	10	144
1600 System (Center Open)	12	120	10	144
Vertislim System (1-way)	9	192	10	144
Vertislim System (Center Open)	12	192	10	144

* Longer drop available, please ask for details.

Executive Valance Trim Colors



Printed color may vary from true color.

Stack Charting

One Way Panel								Center Draw			
Track Width	Vanes	Stack Width	Clean Opening	Track Width	Vanes	Stack Width	Clean Opening	Track Width	Vanes	Stack Width	Clean Opening
19 3/4	7	5 1/2	14 1/4	107 3/4	35	18 1/2	89 1/4	25 1/2	10	4 5/8	16 1/4
22 3/4	8	6	16 3/4	110 1/4	36	19	92	31 3/4	12	5	21 3/4
26	9	6 1/2	19 1/2	114 1/4	37	19 1/2	94 3/4	38	14	5 1/2	27
29	10	6 7/8	22 1/8	117 1/4	38	19 7/8	97 3/8	44 1/4	16	6	32 1/4
32 1/4	11	7 3/8	24 7/8	120 1/2	39	20 3/8	100 1/8	50 3/4	18	6 1/2	37 3/4
35 1/2	12	7 7/8	27 5/8	123 1/2	40	20 7/8	102 5/8	57	20	6 7/8	43 1/4
38 1/2	13	8 1/4	30 1/4	126 3/4	41	21 3/8	105 3/8	63 1/4	22	7 3/8	48 1/2
41 3/4	14	8 3/4	33	130	42	21 3/4	108 1/4	69 3/8	24	7 3/4	53 7/8
44 3/4	15	9 1/4	35 1/2	133	43	22 1/4	110 3/4	75 3/4	26	8 1/4	59 1/4
48	16	9 3/4	38 1/4	136 1/4	44	22 3/4	113 1/2	82 1/4	28	8 3/4	64 3/4
51 1/4	17	10 1/4	41	137 1/4	44	23 1/8	114 1/8	88 1/2	30	9 1/4	70
54 1/4	18	10 5/8	43 5/8	142 1/2	46	23 5/8	118 7/8	94 3/4	32	9 3/4	75 1/4
57 1/2	19	11 1/8	46 3/8	145 3/4	47	24 1/8	121 5/8	101	34	10 1/8	80 3/4
60 1/2	20	11 1/2	49	148 3/4	48	24 5/8	124 1/8	107 1/4	36	10 5/8	86
63 3/4	21	12	51 3/4	152	49	25	127	113 3/4	38	11 1/8	91 1/2
67	22	12 1/2	54 1/2	155	50	25 1/2	129 1/2	120	40	11 1/2	97
70	23	13	57	158 1/4	51	26	132 1/4	126 1/4	42	12	102 1/4
73 1/4	24	13 3/8	59 7/8	161 1/2	52	26 3/8	135 1/8	132 1/2	44	12 1/2	107 1/2
76 1/4	25	13 7/8	62 3/8	164 1/2	53	26 7/8	137 5/8	138 3/4	46	13	112 3/4
79 1/2	26	14 3/8	65 1/8	167 3/4	54	27 1/2	140 1/4	145 1/4	48	13 3/8	118 1/2
82 3/4	27	14 3/4	68	170 3/4	55	27 7/8	142 3/4	151 1/2	50	13 7/8	123 3/4
85	28	15 1/4	69 3/4	174	56	28 1/4	145 3/4	157 3/4	52	14 3/8	129
89	29	15 3/4	73 1/4	177 1/4	57	28 3/4	148 1/2	164	54	14 3/4	134 1/2
92	30	16 1/4	75 3/4	180 1/4	58	29 1/4	151	170 1/4	56	15 1/4	139 3/4
95 1/4	31	16 5/8	78 5/8	183 1/2	59	29 3/4	153 3/4	176 3/4	58	15 3/4	145 1/4
98 1/2	32	17 1/8	81 3/8	186 1/2	60	30 1/8	156 3/8	183	60	16 1/4	150 1/2
101 1/2	33	17 5/8	83 7/8	189 3/4	61	30 5/8	159 1/8	189 1/4	62	16 7/8	155 1/2
104 3/4	34	18 1/8	86 5/8	193	62	31 1/8	161 7/8				

Verticals

Color Charts

Verticals

Designer Deck				Item Code: IV			
Style	Colors	ID	Chart	Style	Colors	ID	Chart
Allure	White	V5320	C	Provincial	Graphite	V5137	E
Allure	Off White	V5321	C	Trends	White	V5203	D
Allure	Gray	V5322	C	Trends	Pearl	V5206	D
Allure	Tan	V5323	C	Trends	Oyster	V5210	D
Allure	Beige	V5324	C	Trends	Natural	V5251	D
Athens	Ivory/Cream	V4979	C	Trends	Maple	V5252	D
Athens	White/Glacier	V5002	C	Trends	Pecan	V5253	D
Athens	Ivory/Cafe	V4984	C	Trends	Oak	V5254	D
Bordeaux	Ivory	V4509	E	Trends	Chestnut	V5256	D
Bordeaux	Soft White	V4507	E	Trends	Mahogany	V5257	D
Bordeaux	Chamois	V5330	E	Trends	Teak	V5258	D
Bordeaux	Taupe	V4510	E	Trends	Walnut	V5259	D
Bordeaux	Mocha	V4511	E	Tropics	Silky White	V5345	D
Bordeaux	Gold	V4854	E	Tropics	Vintage Linen	V5346	D
Bordeaux	Silver	V4508	E	Tropics	Urban Brown	V5347	D
Bordeaux	Fashion Gray	V5331	E	Tropics	Russett	V5348	D
Frost	Ivory	V4810	C	Tropics	Sand	V5349	D
Frost	Off white	V4809	C	Tropics	Natural Gray	V5350	D
Frost	Black	V5069	C	Tropics	Pyramid Gold	V5351	D
Frost	Tan	V4983	C	Tropics	Mushroom Bisque	V5352	D
Frost	Night Sky	V5332	C	Vogue	Silky White	V5353	C
Frost	Urban Gray	V5333	C	Vogue	Almond Wisp	V5354	C
Frost	White	V4806	C	Vogue	Linen	V5355	C
Metalium	Silver	V5338	D	Vogue	Fashion Gray	V5356	C
Metalium	Satin Brass	V5339	D	Vogue	Baja Beige	V5357	C
Metalium	Brihho	V5340	D	Wicker	Greige	V5358	D
Metalium	Bronze	V5341	D	Wicker	Soft Linen	V4874	D
Provincial	Cornsilk	V5132	E	Wicker	Natural	V5359	D
Provincial	Honey Bronze	V5133	E	Wicker	Gray Surf	V5360	D
Provincial	Bronze	V5134	E	Wicker	Parchment	V5310	D

Commercial Deck				Item Code: IV			
Style	Colors	ID	Chart	Style	Colors	ID	Chart
Maestro	White	V4901	A	Ovation	Off White	V4910	A
Maestro	Off White	V4902	A	Flat Maestro	White	V4971	A
Maestro	Ivory	V4903	A	Flat Maestro	Off White	V4973	A
Maestro	Light Grey	V4904	A	Perforated	White	V4907	C
Groover	White	V4905	B	Perforated	Off White	V4974	C
Groover	Off White	V4906	B	Perforated	Ivory	V4908	C
Ovation	White	V4909	A				

Olympic 3.5" Faux				Item Code: IV			
Style	Colors	ID	Chart	Style	Colors	ID	Chart
White	Bright White	V5201	C	Stain	Mahogany	V5257	C
White	White	V5203	C	Stain	Teak	V5258	C
White	Pearl	V5206	C	Stain	Walnut	V5259	C
Stain	Oak	V5254	C				

* These are specialty colors we do not carry in stock. Please note this means a longer manufacturing time.

For more spec information please visit our A&I database through your log in.

Print Date: 8/1/2023

Providence Deck Item Code: PC

Style	Colors	ID	Chart	Style	Colors	ID	Chart
Artisan	Ivory/Café	V4982	C	Firenza	Sand	V4739	E
Athens	Ivory/Cream	V4979	C	Firenza	White	V4756	E
Athens	Ivory/Café	V4984	C	Frost	White	V4806	C
Aurora	Café	V4775	C	Frost	Off White	V4809	C
Aurora	Cream	V4776	C	Frost	Ivory	V4810	C
Bono	Ivory	V4975	C	Frost	Tan	V4983	C
Bordeaux	Ivory	V4509	E	Island	Sand	V4986	D
Calypso	White	V4973	C	Island	Gold	V4987	D
Calypso	Off White	V4976	C	Island	Clove	V4989	D
Calypso	Ivory	V4981	C	Leatherby	White	V4971	C
Concord	Café	V4811	C	Leatherby	Cocoa	V4990	C
Concord	Taupe	V4985	C	Leatherby	Black - Sable	V4991	C
Cyndy	Off White	V4531	C	Mayfair	Off White	V4974	B
Cyndy	White	V4805	C	Newbury	Ivory	V4819	C
Duo	Soft White	V4970	B	Newbury	White	V4820	C
Duo	Ivory	V4977	B	Odessa	White	V4972	D
Eco Louver	Weave/White	V4992	C	Odessa	Ivory	V4980	D
Eco Louver	Weave/Off White	V4993	C	Oxford	Oyster	V4978	C
Eco Louver	Weave/Ivory	V4994	C	Rome	Almond	V4988	E
Firenza	Taupe	V4738	E				

Verticals

Builder Deck Item Code: IV

Style	Colors	ID	Chart	Style	Colors	ID	Chart
Altima	Snow White	V5325	C	Maestro	Grey	V5334	A
Altima	Cotton	V5326	C	Maestro	White	V4901	A
Altima	Pure Gray	V5327	C	Maestro	Soft White	V5335	A
Altima	Almond Tan	V5328	C	Maestro	Tan	V5336	A
Altima	Coastal Beige	V5329	C	Mayfair	Gray	V5337	B
Aurora	Soft Rose	V4780	C	Mayfair	Ivory	V5105	B
Aurora	Cream	V4776	C	Mayfair	White	V5106	B
Aurora	Glacier	V4777	C	Mayfair	Off White	V4974	B
Aurora	Café	V4775	C	Ovation	Ivory	V5342	A
Calypso	Ivory	V4981	C	Ovation	Off White	V4910	A
Calypso	Off white	V4976	C	Ovation	White	V4909	A
Calypso	White	V4973	C	Oxford	Oyster	V4978	C
Calypso	Black	V5017	C	Oxford	Off White	V5117	C
Duo	Ivory	V4977	B	Oxford	Urban Gray	V5343	C
Duo	Soft White	V4970	B	Oxford	Doe	V5122	C
Duo	Off White	V5053	B	Perforated	Ivory	V4315	C
Duo	Parchment	V5054	B	Perforated	Gray	V5344	C
Maestro	Ivory	V4903	A	Perforated	White	V4314	C
Maestro	Off White	V4902	A				

Pricing Charts

Chart D																	PVC			
	25"	37"	50"	62"	75"	81"	87"	100"	112"	120"	131"	144"	156"	169"	175"	191"	Per Vane	Wand	Cord & Chain	
48"	622	791	962	1137	1309	1396	1487	1660	1916	2146	2332	2515	2699	3026	3131	3399	80	30"	24"	
60"	664	845	1039	1231	1416	1522	1607	1799	2076	2327	2533	2730	2937	3296	3408	3706	92	30"	36"	
72"	703	906	1116	1323	1532	1640	1738	1944	2240	2507	2730	2951	3176	3560	3689	4020	101	30"	48"	
84"	746	967	1189	1416	1644	1757	1865	2094	2400	2693	2932	3171	3415	3833	3966	4330	110	30"	60"	
96"	783	1025	1266	1506	1754	1872	1994	2238	2568	2876	3131	3392	3650	4105	4241	4637	119	48"	72"	
108"	828	1081	1342	1602	1862	1994	2127	2380	2725	3054	3331	3607	3893	4381	4531	4947	129	60"	96"	
120"	873	1142	1416	1696	1973	2113	2247	2521	2890	3239	3539	3832	4126	4644	4804	5259	136	60"	96"	
132"	941	1236	1531	1832	2132	2284	2428	2725	3120	3495	3825	4140	4461	5015	5190	5679	146	120"	120"	
144"	1025	1348	1667	1996	2322	2488	2644	2970	3403	3812	4166	4511	4858	5469	5659	6187	157	120"	120"	
156"	1130	1482	1832	2196	2556	2739	2909	3267	3739	4192	4581	4961	5343	6018	6222	6807	167	120"	144"	
168"	1253	1642	2034	2437	2836	3037	3230	3626	4154	4656	5085	5509	5934	6677	6905	7557	176	120"	144"	
180"	1402	1841	2278	2730	3176	3403	3615	4060	4654	5212	5697	6168	6643	7478	7736	8462	185	120"	144"	
192"	1585	2081	2575	3086	3588	3844	4090	4588	5259	5890	6438	6971	7510	8451	8742	9562	193	120"	144"	

Chart E																	PVC			
	25"	37"	50"	62"	75"	81"	87"	100"	112"	120"	131"	144"	156"	169"	175"	191"	Per Vane	Wand	Cord & Chain	
48"	697	884	1074	1267	1457	1557	1656	1850	2137	2392	2599	2805	3009	3373	3492	3790	91	30"	24"	
60"	741	943	1159	1372	1578	1694	1792	2006	2317	2596	2826	3044	3276	3675	3798	4135	101	30"	36"	
72"	784	1013	1243	1477	1710	1830	1938	2165	2500	2796	3044	3293	3540	3971	4112	4482	112	30"	48"	
84"	833	1077	1327	1578	1836	1961	2081	2334	2678	3002	3269	3537	3811	4274	4424	4829	124	30"	60"	
96"	873	1142	1412	1680	1956	2090	2224	2496	2862	3208	3492	3781	4070	4576	4729	5170	132	48"	72"	
108"	922	1205	1496	1785	2074	2224	2371	2651	3038	3406	3717	4023	4342	4886	5050	5514	143	60"	96"	
120"	971	1274	1578	1893	2200	2359	2507	2812	3223	3610	3947	4273	4604	5179	5359	5864	153	60"	96"	
132"	1049	1379	1708	2043	2378	2547	2705	3038	3481	3900	4262	4616	4970	5592	5786	6333	166	120"	120"	
144"	1142	1501	1857	2226	2587	2773	2948	3310	3792	4250	4644	5031	5420	6100	6307	6898	174	120"	120"	
156"	1259	1653	2043	2449	2850	3051	3246	3642	4172	4675	5106	5530	5962	6708	6940	7592	185	120"	144"	
168"	1396	1834	2270	2716	3162	3387	3602	4044	4632	5191	5671	6145	6617	7444	7702	8425	195	120"	144"	
180"	1565	2054	2540	3044	3540	3792	4032	4527	5188	5810	6352	6877	7410	8338	8625	9438	204	120"	144"	
192"	1768	2320	2869	3439	4001	4288	4560	5115	5864	6570	7177	7775	8373	9422	9748	10660	218	120"	144"	

Verticals

Samples

Samples

Designer Deck

Our complete collection of PVC Verticals.
41 Different Sku's
Sku #
\$20.00

Builder Deck

Our complete collection of PVC Verticals.
41 Different Sku's
Sku #
\$20.00



Olympic Ridge Deck 3

Our complete collection of faux wood 3 1/2".
Matches 2" Horizontals.
6 Different Sku's
Sku # SAI012
\$5.00



Commercial Deck

A collection of simple in stock PVC.
Large quantity orders are eligible for discount.
3 Different Sku's
Sku # SAI015
\$5.00



Executive Valance

A collection of Executive Valance trim styles and colors.
20 Different Sku's
Sku # SAI013
\$10.00



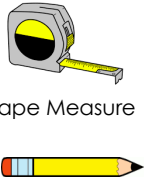
Providence Deck

Our complete collection of 2" Aluminum.
39 Different Sku's
Sku #
\$15.00


Verticals

Measuring Instructions

Tools needed:



Tape Measure
Pencil



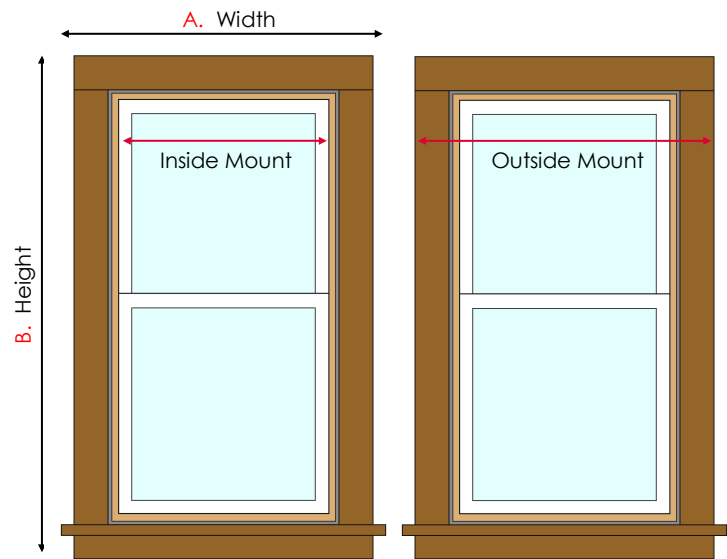
Order Form
Cut Out Diagram
Angled Diagram

Follow lettered guides for correct measuring and cut-outs.

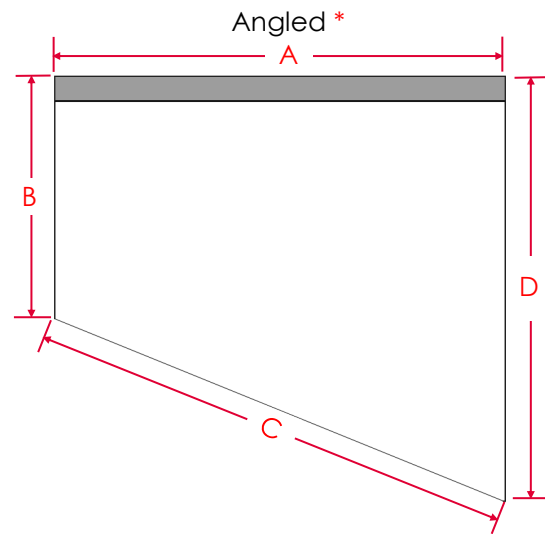
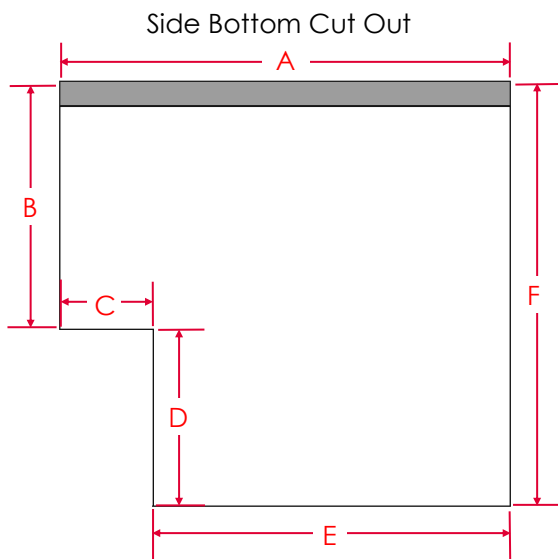
Please Note:

- When Measuring for an inside mount, measure in three different places and take the smallest measurement. This ensures that your shade will fit inside the window sill.
- Fill out appropriate Cut-Out or Angled Shade diagram order form to make sure your blind is ordered correctly.
- When measuring for a Cut-Out, think of the blind in a flat tilted up or down position. This will allow for adequate space around your cut out.

Standard Shade:



Verticals



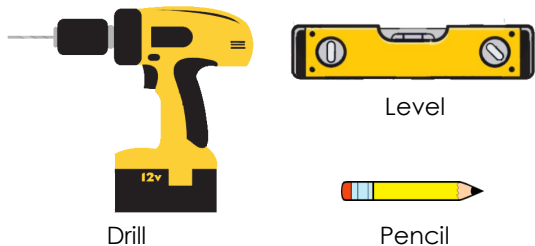
* To ensure an accurate fit vanes are provided at longest length and should be cut on site.

Cut Out & Angled Minimums & Maximums												
Measurement	A		B		C		D		E		F	
	Min	Max	Min	Max	Min	Max	Min	Max	Min	Max	Min	Max
Side Bottom	*	*	*	*	3 1/2"	*	1/4"	*	*	*	*	*
Angled	*	*	*	*	*	*	*	*	*	*	*	*

* Reference chosen products Minimums & Maximums
Please note that notching measurements that fall within a vane will be extended to the end of vane.

Install Instructions

Tools needed:

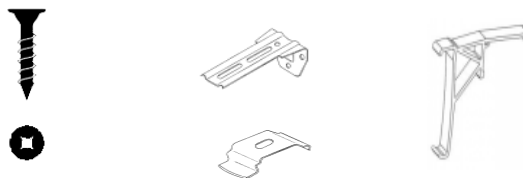


Drill

Level

Pencil

Included with shade:



Screws

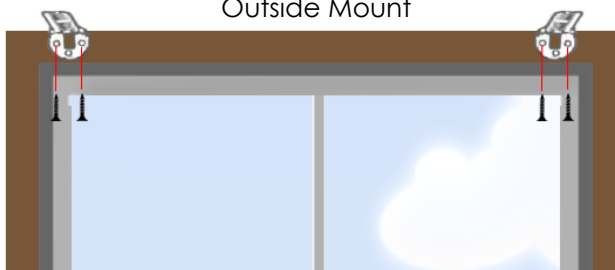
Brackets

Valance Clips

Inside Mount



Outside Mount



Inside/Ceiling Mount (no valance)

1. Allow 1/4" clearance between window and louver when blind is in open position
2. Attach mounting clips to ceiling not more than 3" from either end of the track and space any additional mounting clips equally over remaining track.
3. Center track under mounting clips; insert track into short end of mounting clips and snap into place with rolling motion to rear.

Inside/Ceiling Mount (With Valance)

NOTE: Screw holes must be pre-drilled in top of valance to allow it to be fastened between mounting clips and ceiling when mounting clips are affixed to ceiling with appropriate fasteners.

1. Pre-drill holes in top of valance at location of mounting clips.
2. Position valance between ceiling and mounting clip at each mounting clip location and tighten valance and mounting clips to ceiling with appropriate fasteners. NOTE: position mounting clips and insert track in accord with previous instructions above for "no valance" installation.

Valance Assembly

Closed Corner

1. Install the valance clips on the headrail.
2. Slip valance corners onto both ends of the valance
3. Slip the 2 returns into the remaining slot in the valance corners.
4. Slide the completed valance assembly into the valance clips.

Open Corner

1. Cut fabric insert of sufficient length to cover entire valance and wrap around open corners and returns with at least 1" excess
2. Assemble valance with open corners and grooved returns.
3. Insert fabric into valance and wrap over open corners and returns. Trim excess fabric at return ends or wrap around return ends. Secure fabric to returns with double coated tape or staples
4. Slide completed valance into valance hangers.

Outside Mount (No Valance)

1. Install "L" brackets not more than 3" from each end of track and space any additional "L" brackets equally over remaining track.
2. Allow sufficient clearance (1/2") between wall and louver when blind is in open position.
3. Center track under mounting clips; insert track into short end of mounting clip and snap into place with rolling motion to rear.

Louver Attachment

Turn louver hooks at right angle to window or wall Snap each louver into louver hooks. With fabric Insert or grooved louvers, insert the louver with the rigid vinyl against the longer prong. This will guard against the mounting hook snagging the fabric.

To Remove Louvers

Carefully open louver hook with finger as shown and remove louver.

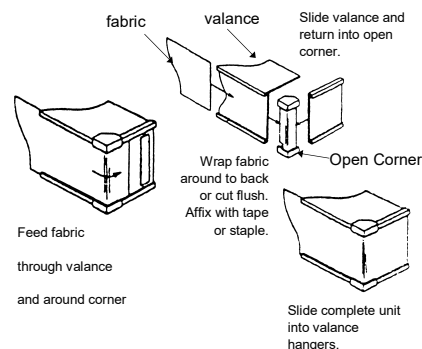
To Test Traverse

Alternately pull the cords to determine that the blind traverse smoothly in both directions.

Caution: Only traverse the blind with the louvers in the open position.

To Test Rotation

Pull bead chains to determine that louvers rotate easily.



Vertical General Warranty

Statement of Warranty

A&I Manufacturing is proud to extend a Limited Lifetime Warranty on our Vertical. Each product is warranted to the original residential retail purchaser to be free from manufacturing defects in materials and workmanship as long as the product remains in the original window. This Limited Lifetime Warranty is not valid for products used for commercial use, rentals, and non-residential use in which cases there is a Limited 1 Year Warranty.

A&I proudly offers a 5 Year Limited Lifetime Warranty on all cords and components for all of our Vertical product lines for residential use.



Warranty Exclusions

This Limited Lifetime Warranty does not cover any product that fails due to:

- Accidents
- Alteration
- Misuse
- Abuse/Extraordinary Use
- Misapplication
- Improper handling
- Improper Installation
- Any conditions caused by normal wear and tear over the passage of time
- Cleaning
- Loss of color intensity
- Exposure to salt-air, or extreme heat
- Damage from insects or pets
- Damage from water
- Yellowing or cracking of plastic parts with the passage of time

Cord & Components Warranty

This Limited Lifetime Warranty **does not** cover transportation costs to and from the retailer, costs of removal, re-measure, or reinstallation of product, or any incidental or consequential damages.

Warranty Remedies

If an A&I Manufacturing product is found to be defective in materials or workmanship, we will, at our discretion: repair, replace or refund the cost of the product which fails to conform to this Limited Lifetime Warranty.

Colors do vary from lot to lot and may not exactly match sample swatch or previously purchased product. Discontinued items or colors will be replaced with the closest equivalent available. This shall be the sole remedy under this Limited Lifetime Warranty.

To Obtain Service:

Please return product, along with your original sales receipt or work order, to the original retailer from which the product was purchased and they will return the product to A&I Manufacturing.



Verticals

ORDER FORM

Please Fill Out Completely
& Print Clearly

Sold To: _____

Ship To: _____

Room Codes	Room	Room Codes	Room
ENT	Entry	BTH	Bath
LV	Living Room	MBTH	Master Bath
KT	Kitchen	GA	Garage
DR	Dinning Room	LDR	Laundry
BR#	Bedroom (1, 2, 3)	FR	Family Room
MBR	Master Bed Room	OF	Office

A&I Delivery
 Will Call
 UPS
 Freight

PO #: _____

Side Mark: _____

Quote #: _____

Date: _____

Ordered By: _____

Phone #: _____

Fax #: _____

Email: _____

Account #: _____

Item Code	Headrail Styles	Valance Styles	Wand Length Defaults	Cord & Chain Length Defaults
IV	Innovations in Vinyl	Standard	6"-28" = 12" 28 1/8"-48" = 30" 48 1/8"-60" = 30" 60 1/8"-72" = 30" 72 1/8"-84" = 30"	6"-28" = 12" 28 1/8"-48" = 24" 48 1/8"-60" = 30" 60 1/8"-72" = 36" 72 1/8"-84" = 40"
PC	Providence Collection	Dust Cover Executive	84 1/8"-96" = 48" 96 1/8"-121" = 48" 108 1/8"-126" = 60" 126 1/8"-144" = 120" 144"+ = 144"+	84 1/8"-96" = 50" 96 1/8"-121" = 60" 108 1/8"-126" = 72" 126 1/8"-144" = 96" 144"+ = 144"+

Line #	Room Code	Item Code	Qty	Width	Height	Headrail Style	Color		Mount	Control	Opening	Fabric Insert	Valance Corner		Notes	Price
							Number	Name					IS	OS		
1																
2																
3																
4																
5																
6																
7																
8																
9																
10																
11																
12																
13																
14																
15																

Additional Notes: _____

Revised 9/22/16

Sub-Total	
Surcharges/ Freight	
Total	

Customer Service: 800-283-6112
Fax: 800-276-1773

Credit Card Authorization Signature: _____
Orders cannot be cancelled once production has started. All products are custom made and are not subject to change or cancellation once production has begun.