



# Roller Shades

Product Information	H1 - H2
Series	H3 - H6
Panel Track	H7
Side Channel	H8
Motors	H9-H12
Color Charts	H13-H15
Pricing Charts	H16-H21
Samples	H21
Warranty	H22
Parts and Pieces	Reference

# Product Information

## Finished Dimensions

### Inside Mount

Fabric and tube width -1 3/8"

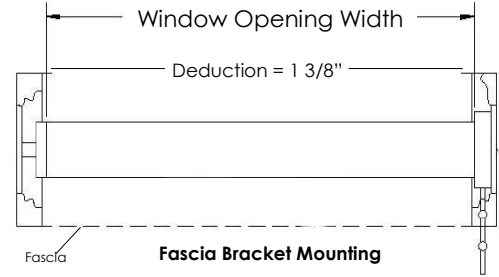
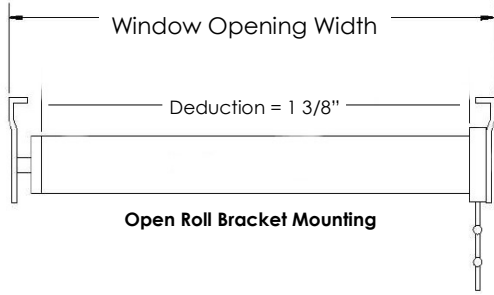
Finished width -1/8"

### Outside Mount

Fabric and tube width -1 1/4"

Finished width as ordered

*(All allowances are taken from ordered dimensions and may vary slightly)*



## Standard Shade Includes

- Chain in Stainless Metal, Black Plastic, or White Plastic or Crank depending on the Roller Shade System.
- Set of standard open roll brackets (Available in: Black, White, Silver)
- Seamed pocket hembar

## Series

Series	Description	Series	Name
PF	No drilling solution!	RE	Standard Roller Shade
R	Our affordable line.	E	Extreme Indoors
Z	Our most comprehensive line.	EX	Extreme Outdoors
C	Heavy duty commercial line.	BU	BottomUp or Café Style

## Control Options Via Series

Series	Tubes	Chain	Crank	Cordless	Hospitality	Dual	Spring Assist	Coupled/Intermediate	Top Down	Motor
PF	24	✗	✗	✓	✗	✗	✗	✗	✗	✗
R	32, 40, 50	✓	✗	✗	✗	✗	✗	✓	✗	✗
Z	32, 40, 45, 50, 60	✓	✗	✓	✓	✓	✓	✓	✗	✓
C	40, 45	✓	✗	✓	✗	✗	✓	✓	✗	✓
E	63, 83	✓	✓	✗	✗	✗	✗	✗	✗	✓
EX	63, 83	✗	✓	✗	✗	✗	✗	✗	✗	✓
BU	40	✓	✗	✗	✗	✗	✗	✗	✗	✓

## Motor Options Via Series

Series	Tubes	Fascia	Sonessse 30	Sonessse 40	Sonessse 50	R28	Altus 50	M50	M45
PF	24	2 3/16"	✗	✗	✗	✗	✗	✗	✗
R	32, 40, 50	3", 4"	✗	✗	✗	✗	✗	✗	✗
Z	32, 40, 45, 50, 60	3", 4", 5 1/2", 7"	✓	✓	✓	✓	✗	✗	✗
C	40, 45	4" SQ	✓	✓	✗	✓	✗	✗	✗
E	63, 83		✗	✗	✗	✗	✓	✗	✓
EX	63, 83		✗	✗	✗	✗	✗	✗	✓
BU	40		✓	✗	✗	✓	✗	✗	✗

# Product Information

## Upgrades and Surcharges

Description	Additional Cost	Description	Additional Cost
Motorized	See Page H9	Cordless	625
Spring Assist	661		

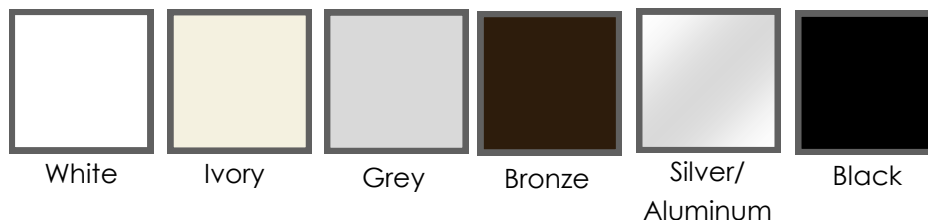
## Fascia and Hembar Color Options

	White	Ivory	Grey	Bronze	Anodized	Black
2 3/16" Curved	✓	✗	✓	✓	✓	✗
3" Square	✓	✓	✗	✓	✓	✓
3" Curved	✓	✓	✗	✓	✓	✓
3" Curved - Dual	✓	✓	✗	✓	✓	✓
4" Square	✓	✓	✗	✓	✓	✓
4" Curved	✓	✓	✗	✓	✓	✓
4" Curved - Dual	✓	✓	✗	✓	✓	✓
4" Back Fascia*	✓	✓	✗	✓	✓	✓
5 1/2" Square	✓	✓	✗	✓	✓	✓
CM Fascia	✓	✓	✗	✓	✓	✓
CM Back Fascia	✓	✓	✗	✓	✓	✓
CS Cassette	✓	✗	✗	✗	✗	✗
5 1/2" Head Box	✓	✗	✗	✗	✗	✗
7" Square - Dual	✓	✗	✗	✗	✗	✗
Bottom Closure	✓	✓	✗	✓	✓	✓
External Hembar	✓	✓	✗	✓	✓	✓

## Fascia to Series Tube Chart

Fascia	PF	R	Z	C	BU	E	EX
Open Roll		32,40	32, 40, 45, 50			63,83	63,83
2 3/16" Curved	25						
3" Square		32,40,50	32,40,45		40		
3" Curved		32,40,50	32,40,45				
3" Curved - Dual		32,40,50	32,40,45				
4" Square		32,40,50	32,40,45,50,60		40		
4" Curved		32,40,50	32,40,45,50,60				
4" Curved - Dual			40,45,50				
4" Back Fascia*			40,45,50,60	40,45			
5 1/2" Square			40,45,50,60	40,45			
C Fascia			40,45	40,45			
C Back Fascia			40,45	40,45			
CS Cassette							
7" Head Box			45,50,60				
7" Square - Dual			45,50,60				

\*4" Back Fascia can be used with 4" Square and Curved Fascia only



# Series Information

PF Series Item Code: RS-PF

## Control Option



Standard  
Fabric Wrapped  
Hembar

## Minimums and Maximums

	Min Width	Max Width	Min Drop	Max Drop
Cordless	14"	57"	10"	67"

## Fascia Colors Available

	2" Curved
White	✓
Ivory	✗
Grey	✓
Bronze	✓
Anodized	✗
Black	✗

## Z Series Item Code: RS-Z

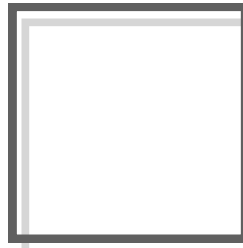
### Fascia Style



Open Roll



Curved  
3" & 4"



Curved Dual  
3" & 4"



Square  
3", 4", 5 1/2" & 7"

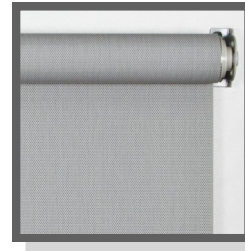


Square Dual  
7"

### Control Options



Chain



Cordless



Spring Assist



Motor

### Fascia Colors Available

	3" Curved	3" Square	4" Curved	4" Square	5 1/2" Square	7" Square
White	✓	✓	✓	✓	✓	✓
Ivory	✓	✓	✓	✓	✗	✗
Grey	✗	✗	✗	✗	✗	✗
Bronze	✓	✓	✓	✓	✓	✓
Anodized	✓	✓	✓	✓	✓	✓
Black	✓	✓	✓	✓	✗	✓

### Minimums and Maximums

	Min Width	Max Width	Min Drop	Max Drop
Chain	18"	78"	18"	108"
Cordless	36"	84"	18"	84"
Spring Assist	36"	156"	18"	240"
Motor *	26"	176"	18"	240"

### Mounting Requirements

Open Roll			3" Curved & Square				3" Dual Curved				4" Curved & Square						
Inside Mount		Outside Mount		Inside Mount		Outside Mount		Inside Mount		Outside Mount		Inside Mount		Outside Mount			
Min	Flush	Min	Flush	Min	Flush	Min	Flush	Min	Flush	Min	Flush	Min	Flush	Min	Flush		
<b>32</b>	3 1/4"	N/A	<b>32</b>	3 1/4"	N/A	<b>32</b>	3"	3 1/4"	<b>32</b>	3"	N/A	<b>32</b>	3"	N/A	<b>32</b>	N/A	N/A
<b>40</b>	3 1/4"	N/A	<b>40</b>	3 1/4"	N/A	<b>40</b>	3"	3 1/4"	<b>40</b>	3"	N/A	<b>40</b>	3"	N/A	<b>40</b>	3"	N/A
<b>45</b>	3 1/4"	N/A	<b>45</b>	3 1/4"	N/A	<b>45</b>	3"	3 1/4"	<b>45</b>	3"	N/A	<b>45</b>	3"	N/A	<b>45</b>	3"	N/A
<b>50</b>	N/A	N/A	<b>50</b>	N/A	N/A	<b>50</b>	N/A	N/A	<b>50</b>	N/A	N/A	<b>50</b>	N/A	N/A	<b>50</b>	3"	4 1/4"
<b>60</b>	N/A	N/A	<b>60</b>	N/A	N/A	<b>60</b>	N/A	N/A	<b>60</b>	N/A	N/A	<b>60</b>	N/A	N/A	<b>60</b>	3"	4 1/4"
4" Dual Curved			5 1/2" Square				7" Square										
Inside Mount		Outside Mount		Inside Mount		Outside Mount		Inside Mount		Outside Mount							
Min	Flush	Min	Flush	Min	Flush	Min	Flush	Min	Flush	Min	Flush						
<b>32</b>	N/A	N/A	<b>32</b>	N/A	N/A	<b>32</b>	N/A	N/A	<b>32</b>	N/A	N/A						
<b>40</b>	3"	6 1/4"	<b>40</b>	3"	N/A	<b>40</b>	3"	6 1/4"	<b>40</b>	3"	N/A						
<b>45</b>	3"	6 1/4"	<b>45</b>	3"	N/A	<b>45</b>	3"	6 1/4"	<b>45</b>	3"	N/A						
<b>50</b>	3"	6 1/4"	<b>50</b>	3"	N/A	<b>50</b>	3"	6 1/4"	<b>50</b>	3"	7 1/4"						
<b>60</b>	3"	6 1/4"	<b>60</b>	3"	N/A	<b>60</b>	3"	6 1/4"	<b>60</b>	3"	7 1/4"						

# Series Information

\* For motorization pricing please see page H9 and H10.

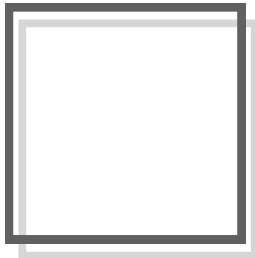
## C Series Item Code: RS-C

This series incurs a surcharge. See charts for pricing.

### Fascia Style



Square  
3 3/4"



Back Fascia  
3 3/4"

### Minimums and Maximums

	Min Width	Max Width	Min Drop	Max Drop
Chain	18"	78"	5"	108"
Hospitality				
Spring Assist	36"	156"	18"	240"
Motor *	26"	176"	18"	240"

### Control Options



Chain



Cordless



Spring Assist



Motor

### Fascia Colors Available

	3 3/4" Square	3 3/4" Back
White	✓	✓
Ivory	✓	✓
Grey	✗	✗
Bronze	✓	✓
Anodized	✓	✓
Black	✓	✓

### Mounting Requirements

3" Square					
Inside Mount			Outside Mount		
	Min	Flush		Min	Flush
<b>40</b>	3 1/4"	3 1/4"	<b>40</b>	3 1/4"	N/A
<b>45</b>	3 1/4"	3 1/4"	<b>45</b>	3 1/4"	N/A

## E Series Item Code: RS-E

This series incurs a surcharge. See charts for pricing.

### Fascia Style



Open Roll

### Control Options



Motor



Crank

### Minimums and Maximums

	Min Width	Max Width	Min Drop	Max Drop
Motor *	36"	124"	24"	240"
Crank	24"	124"	24"	240"

### Mounting Requirements

Open Roll					
Inside Mount			Outside Mount		
	Min	Flush		Min	Flush
<b>63</b>	4"	N/A	<b>63</b>	4"	N/A
<b>83</b>	4"	N/A	<b>83</b>	4"	N/A

\* For motorization pricing please see page H12.

# Series Information

## EX Series

Item Code: RS-EX

This series incurs a surcharge. See charts for pricing.

### Fascia Style

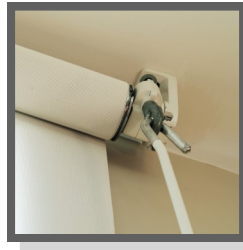


Open Roll

### Control Options



Motor



Crank

### Minimums and Maximums

	Min Width	Max Width	Min Drop	Max Drop
Motor *	36"	124"	24"	240"
Crank	24"	124"	24"	240"

### Mounting Requirements

Open Roll					
Inside Mount			Outside Mount		
	Min	Flush		Min	Flush
<b>63</b>	3"	N/A	<b>63</b>	3"	N/A
<b>83</b>	3"	N/A	<b>83</b>	3"	N/A

## BottomUp Series

Item Code: RS-BU

This series incurs a surcharge. See charts for pricing.

### Fascia Style



Fascia 4"  
Side Channel shown not available.

### Control Options



Chain



Motor

### Minimums and Maximums

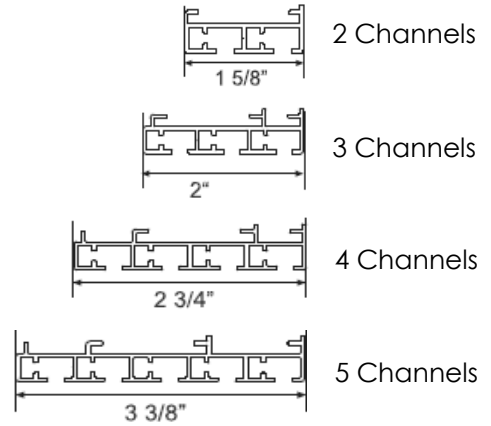
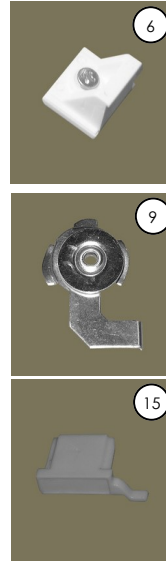
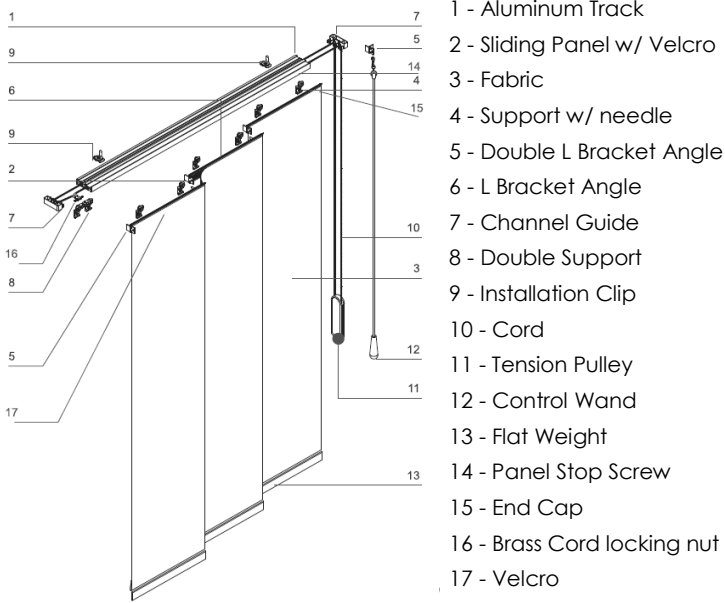
	Min Width	Max Width	Min Drop	Max Drop
Chain	27"	118"	24"	102"
Motor	31"	118"	24"	118"

### Mounting Requirements

Fascia 4"					
Inside Mount			Outside Mount		
	Min	Flush		Min	Flush
<b>40</b>	3"	4"	<b>40</b>	3"	N/A



# Panel Track



**Use the color charts to determine which pricing chart to use. Apply your standard Roller Shade Multiplier.**

- Each panel comes with Velcro sewed on to the panel at the top.
- Panel widths are fully customizable to your specifications.
- Please refer to chart below for specific configurations and choices in track channels.

**Control Options:**

1. Cord - not available with some panel configurations
2. Wand - available on all configurations, some configurations require two wands. (30", 36", 48", 60", 72", & 84")

## Configuration Chart

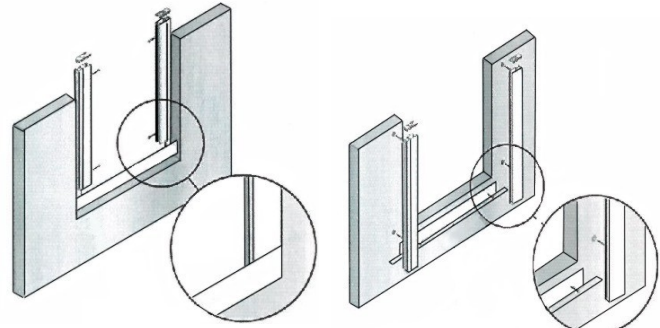
Number of	Number of	Overall	Wand	Cord	Configuration
2	2	21" - 89"	Y	Y	2 stack left
	2		Y	Y	2 stack right
3	2	30" - 132"	Y	Y	2 panels stack left, 1 panel stack right
	2		Y	Y	1 panel stack left, 2 panels stack right
	3		Y	Y	3 stack left
	3		Y	Y	3 stack right
4	3	39" - 175"	Y	Y	1 panel stack left, 3 panels stack right
	2		Y	Y	2 panels stack left, 2 panels stack right
	3		Y	Y	3 panels stack left, 1 panel stack right
	4		Y	Y	4 stack left
	4		Y	Y	4 stack right
5	3	48" - 218"	Y	N	2 panels stack left, 3 panels stack right
	3		Y	N	3 panels stack left, 2 panels stack right
	4		Y	Y	1 panel stack left, 4 panels stack right
	4		Y	Y	4 panels stack left, 1 panel stack right
	5		Y	Y	5 stack left
	5		Y	Y	5 stack right



# Side Channel

## Standard Channel Frame Includes:

- 2 Pieces of Side Rail for side enclosures
  - Plastic Guide Pieces
  - Channel Fasteners
- 1 Piece of L-Channel for bottom enclosures
- Slim Bottom Bar (made special to fit in side rail)



Inside Mount Application

Outside Mount Application

## Color Options



White

Bronze

Anodized

- Side Channels can be mounted inside or outside of window casing.
- L-Channel is used as a bottom closure
- 100% light blocking
- Center Channel also available (3 1/2" width)

Side Channel	
Height	
36"	603
42"	703
48"	804
54"	904
60"	1005
66"	1105
72"	1206
78"	1306
84"	1407
90"	1507
96"	1607
108"	1808
114"	1909
120"	2009
126"	2110
132"	2210
138"	2311
144"	2411
168"	2813
192"	3215

Price per pair.

Center Channel	
Height	
36"	844
42"	985
48"	1125
54"	1266
60"	1407
66"	1547
72"	1688
78"	1829
84"	1969
90"	2110
96"	2250
108"	2532
114"	2672
120"	2813
126"	2954
132"	3094
138"	3235
144"	3376
168"	3938
192"	4501

Bottom Channel	
Width	
36"	225
42"	263
48"	300
54"	338
60"	376
66"	413
72"	451
78"	488
84"	526
90"	563
96"	601
108"	676
114"	714
120"	751
126"	789
132"	826
138"	864
144"	901
168"	1052
192"	1202

For a complete channel frame add Side Channel and Bottom Channel charts together.

# Motors

## A quick guide to choosing what will work for your application.

For each motor to function the following is required:

1. Power source
2. Control

### Power Sources

Depending on what power sources you have available and the size of your shade can both drastically alter what motor you choose. This choice can also effect the size of tube which can limit your options on fascia.

**Lithium rechargeable motors** - Best fit for retro fitting into an existing windows, is the most versatile, and cost effective motors. But larger sized shades could possibly drain battery charge faster and the motor head will need to be accessible for recharging.

**110v Motors** - Best for large shades and excessive use. But either a power outlet or an electrician hardwiring these motors in are needed. They also have a larger minimum width because of the size of the motor.

### Control Options

Not all control options are created equal and there are many options to add to the functionality of your shade. We offer different motors from different companies and each company have their own controls and they do not cross over. We suggest 1 channel to 1 motor for the easiest most intuitive control. However you can program multiple shades to one channel, but they will always operate as one.

**Hand Held Remotes** - By far the most popular option, this allows the remote to follow you or have a resting area on the wall. These come in variation of 1 channel, 5 channels, 6channels, or 16 channels. They all come in white, and some companies offer a small color selection. These are also the most cost effective option of control.

**Wall Switches** - Fixed permanently to the wall, you'll never lose these. The variation of channels is far more. Ranging from 1 channel, 2 channels, 3 channels, 4 channels, 5 channels, 6 channels, and 16 channels. All of these are available in white and some companies offer a varied colored selection.

**Smart Home HUBS** - These are used in addition to a hand held remote or wall switch for ease of use. These HUBS connect your entire house of shades to an app. Within these apps you can set schedules, control your shades remotely from your phone and even connect them to Google Home, Amazon Alexa, Siri, Control4 and others for voice control function.

## Z Series Motors



External Battery Pack

Solar Panel

SOMFY 28		Motor Price 1258
<b>Maximum Shade Size</b>		72" X 72"
<b>Minimum Shade Size</b>		16" x 15"
<b>Tube Sizes</b>		Sys 40
<b>Fascia Sizes</b>		3"
Power Options		12v DC
Option		Price
External Rechargeable Battery Pack		489
External Rechargeable Battery Pack & Solar Panel		1100

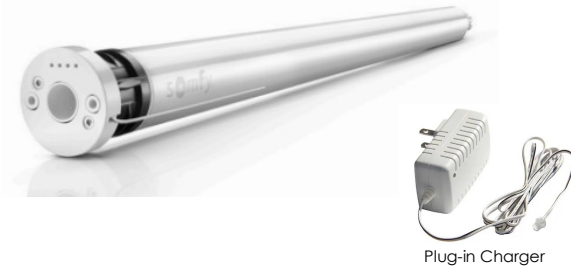


Plug-in Charger

SOMFY 30 Li-Ion Rechargeable		Motor Price 1628
<b>Maximum Shade Size</b>		110" x 110"
<b>Minimum Shade Size</b>		27" x 15"
<b>Tube Sizes</b>		Sys 40, Sys 45
<b>Fascia Sizes</b>		3", 4"
Power Options		12v DC
Option		Price
Plug In Charger		119

## Z Series Motors

Continued



SOMFY 40 Li-Ion Rechargeable		Motor Price	2146
<b>Maximum Shade Size</b>			170" X 175"
<b>Minimum Shade Size</b>			28" x 15"
<b>Tube Sizes</b>			Sys 45
<b>Fascia Sizes</b>			4"
<b>Power Options</b>		12v DC	
Option			Price
Plug In Charger			119



SOMFY 40		Motor Price	2457
<b>Maximum Shade Size</b>			200" X 220"
<b>Minimum Shade Size</b>			28" x 15"
<b>Tube Sizes</b>			Sys 45
<b>Fascia Sizes</b>			4"
<b>Power Options</b>		120v AC	
Option			Price
Fast Connector			Included
3 Prong Plug In 3FT			154
3 Prong Plug In 6FT			176
3 Prong Plug In 10FT			211
3 Prong Plug In 12FT			284
3 Prong Plug In 19.6FT			353



SOMFY 50		Motor Price	2457
<b>Maximum Shade Size</b>			220" X 220"
<b>Minimum Shade Size</b>			34" x 15"
<b>Tube Sizes</b>			Sys 45, Sys 50, Sys 60
<b>Fascia Sizes</b>			4"
<b>Power Options</b>		120v AC	
Option			Price
Pig Tail Hard Wires			Included
Fast Connector + 3 Prong Plug In 3FT			418
Fast Connector + 3 Prong Plug In 6FT			440
Fast Connector + 3 Prong Plug In 10FT			476
Fast Connector + 3 Prong Plug In 12FT			548
Fast Connector + 3 Prong Plug In 19.6FT			618

SOMFY Control Options			
Option	Color	Channel #'s	Price
Situo Hand Held Remote	White	1 Channel	400
Situo Hand Held Remote	White	5 Channel	526
Telis 16 Hand Held Remote	White	16 Channel	1788
Deco Flex Wall Switch	White	1 Channel	1008
Deco Flex Wall Switch	White	3 Channel	1032
Deco Flex Wall Switch	White	5 Channel	1056
Smart Home Addition			
Tahoma Smart Home HUB	White	40 Channel	1199



# Motors

## Z Series Motors

Continued



Plug-in Charger

A Li-Ion Rechargeable		Motor Price 1258
<b>Maximum Shade Size</b>		170" X 175"
<b>Minimum Shade Size</b>		28" x 15"
<b>Tube Sizes</b>		Sys 45
<b>Fascia Sizes</b>		4"
<b>Power Options</b>		12v DC
<b>Option</b>		<b>Price</b>
Plug In Charger		119

### A MOTOR Control Options

Option	Color	Channel #'s	Price
Navigator Hand Remote	White	1 Channel	237
Navigator Hand Remote	White	5 Channel	296
Navigator Hand Remote	White	16 Channel	444



Navigator 1 Channel



Navigator 5 Channel



Navigator 16 Channel

## E Series Motor



### VTi® CELTIC ELECTRONIC LIMITS MOTOR

<b>Torque</b>	20 Nm	<b>Radio Frequency</b>	433.92 MHz
<b>Speed</b>	30 rpm	<b>Cable Length</b>	158 in   4 m
<b>Sound Level</b>	42 dB	<b>Voltage Supply</b>	CM: 120 V AC (60 Hz) CN: 230 V AC (50/60 Hz)
<b>Limits</b>	Electronic	<b>Weight Capacity*</b>	118 lb   68 kg
<b>Index Protection</b>	IP 44		

Maximum Shade Size\*\* - 236" x 236" | 6 m x 6 m

### Kits Per Shade

Motor	Remote	Price
1 Motor	1 Channel Remote	3505
1 Motor	6 or 16 Channel Remote	3505
1 Motor	1 Channel Wall Switch	3505
1 Motor	16 Channel Wall Switch	3505

### Extra Upgrades

1 Motor	2184
3 Prong Plug	202



1 Channel Remote



1 Channel Wall Switch

## EX Series Motor



### VTi® CELTIC ELECTRONIC LIMITS MOTOR

<b>Torque</b>	20 Nm	<b>Cable Type</b>	SVT #18AWG (4 x 0.8 mm2)
<b>Speed</b>	30 rpm	<b>Cable Length</b>	158 in   4 m
<b>Sound Level</b>	42 dB	<b>Current</b>	CM: 2.5 A CN: 1.089 mA
<b>Limits</b>	Electronic	<b>Thermal Protection</b>	4 Minutes
<b>Index Protection</b>	IP 44	<b>Voltage Supply</b>	CM: 120 V AC (60 Hz) CN: 230 V AC (50/60 Hz)
<b>Power</b>	CM: 300 W CN: 250 W	<b>Weight Capacity*</b>	118 lb   68 kg
<b>Radio Frequency</b>	433.92 MHz		

Maximum Shade Size\*\* - 236" x 236" | 6 m x 6 m

### Kits Per Shade

Motor	Remote	Price
1 Motor	1 Channel Remote	3505
1 Motor	6 or 16 Channel Remote	3505
1 Motor	1 Channel Wall Switch	3505
1 Motor	16 Channel Wall Switch	3505

### Extra Upgrades

1 Motor	2184
3 Prong Plug	202



1 Channel Remote



1 Channel Wall Switch

# Color Charts

\*\* These fabrics are approved for exterior use.

## Contract Fabrics

Color #	Name	Openness	Chart	Color #	Name	Openness	Chart
1011	White**	1%	H	1102	White Linen**	10%	C
1012	White Linen**	1%	H	1103	White Pearl**	10%	C
1013	White Pearl**	1%	H	1104	Linen**	10%	C
1014	Linen**	1%	H	1105	Ebony**	10%	C
1015	Ebony**	1%	H	1106	Brown Chocolate**	10%	C
1016	Brown Chocolate**	1%	H	1001	Spirit	B/O	I
4805	Beige	1%	I	1002	Loft	B/O	I
4816	Charcoal/Bronze	1%	I	1003	Starfish	B/O	I
1031	White**	3%	E	1004	Dune	B/O	I
1032	White Linen**	3%	E	1005	Odyssey	B/O	I
1033	White Pearl**	3%	E	1006	Midnight	B/O	I
1034	Linen**	3%	E	2921	White	B/O	E
1035	Ebony**	3%	E	2922	Linen	B/O	E
1036	Brown Chocolate**	3%	E	2923	Fawn	B/O	E
P2211	Charcoal/Bronze	3%	F	2924	Champagne	B/O	E
1051	White**	5%	C	2925	Grey	B/O	E
1052	White Linen**	5%	C	7101	Frost	B/O	B
1053	White Pearl**	5%	C	7102	Eggshell	B/O	B
1054	Linen**	5%	C	7103	French Vanilla	B/O	B
1055	Ebony**	5%	C	7104	Buff	B/O	B
1056	Brown Chocolate**	5%	C	7105	Earl Gray	B/O	B
1057	Taupe**	5%	C	7106	Onyx	B/O	B
2211	Charcoal/Bronze	5%	F	7001	Frost	Translucent	A
2212	Charcoal/Gray	5%	F	7002	Eggshell	Translucent	A
4202	Beige/White	8%	F	7003	French Vanilla	Translucent	A
4211	Charcoal/Bronze	8%	F	7004	Buff	Translucent	A
4212	Charcoal Gray	8%	F	7005	Earl Gray	Translucent	A
1101	White**	10%	C	7006	Onyx	Translucent	A

## Roller Shade - Complete Collection

Color #	Name	Openness	Chart	Color #	Name	Openness	Chart
1011	White	1%	H	1034	Linen	3%	E
1012	White Linen	1%	H	1035	Ebony	3%	E
1013	White Pearl	1%	H	1036	Brown Chocolate	3%	E
1014	Linen	1%	H	8001	White	3%	M
1015	Ebony	1%	H	8002	Ivory	3%	M
1016	Brown Chocolate	1%	H	8003	Bronze	3%	M
4801	Off White	1%	I	8004	Pearl	3%	M
4802	Beige/White	1%	I	8005	Silver	3%	M
4805	Beige	1%	I	8006	Ebony	3%	M
4816	Charcoal/Bronze	1%	I	2001Y	White	3%	H
4826	Gray/White	1%	I	2005Y	White Gray	3%	H
4827	Bronze	1%	N	2211Y	Charcoal Bronze	3%	H
4828	Ebony	1%	N	2212Y	Charcoal Gray	3%	H
4829	White	1%	J	2602Y	Beige White	3%	H
4830	White Linen	1%	J	5413Y	Dark Gray White	3%	H
4831	Linen	1%	J	P2211	Charcoal/Bronze	3%	F
4832	White Pearl	1%	J	P2212	Charcoal/Grey	3%	F
5602	Beige White	1%	E	P2213	Charcoal	3%	F
5605	Gray White	1%	E	1051	White	5%	C
5613	Dark Gray White	1%	E	1052	White Linen	5%	C
1031	White	3%	E	1053	White Pearl	5%	C
1032	White Linen	3%	E	1054	Linen	5%	C
1033	White Pearl	3%	E	1055	Ebony	5%	C

Roller Shades

H13

For more spec information please visit our A&I database through your log in.

Print Date: 8/1/2023

\*\* These fabrics are approved for exterior use.

## Roller Shade - Complete Collection (Continued)

Color #	Name	Openness	Chart	Color #	Name	Openness	Chart
1056	Brown Chocolate	5%	C	3108	White Pearl	10%	C
1057	Taupe	5%	C	1001	Spirit	B/O	I
2001	Off White	5%	F	1002	Loft	B/O	I
2002	Beige/White	5%	F	1003	Starfish	B/O	I
2005	Gray/White	5%	F	1004	Dune	B/O	I
2211	Charcoal/Bronze	5%	F	1005	Odyssey	B/O	I
2212	Charcoal/Gray	5%	F	1006	Midnight	B/O	I
2213	Charcoal	5%	F	2911	Snowflakes	B/O	K
2301	Gold	5%	N	2915	Off White	B/O	K
2302	Sand	5%	N	2919	Bisque	B/O	K
2303	Ebony	5%	N	2921	White	B/O	E
2304	Crystal	5%	N	2922	Linen	B/O	E
2305	White	5%	N	2923	Fawn	B/O	E
2306	Pearl	5%	N	2924	Champagne	B/O	E
2307	Linen	5%	N	2925	Grey	B/O	E
2501	Sand/Custard	5%	N	2931	White	B/O	K
2502	Sand/Linen	5%	N	2932	Ivory	B/O	K
2503	Gold/Custard	5%	N	2933	Beige	B/O	K
2504	Sand/Ebony	5%	N	2934	Sand	B/O	K
2505	Bronze/Custard	5%	N	2935	Stone	B/O	K
2506	Ebony/Sand	5%	N	2936	Chocolate	B/O	K
4201	Off White	8%	F	2937	Ebony	B/O	K
4202	Beige/White	8%	F	7101	Frost	B/O	B
4205	Gray/White	8%	F	7102	Eggshell	B/O	B
4211	Charcoal/Bronze	8%	F	7103	French Vanilla	B/O	B
4212	Charcoal Gray	8%	F	7104	Buff	B/O	B
4213	Charcoal	8%	F	7105	Earl Gray	B/O	B
4221	Gray Check	8%	F	7106	Onyx	B/O	B
4222	Beige	8%	F	9201	Pure White	B/O	J
4223	Multi	8%	F	9202	Milky	B/O	J
1101	White	10%	C	9204	Sand	B/O	J
1102	White Linen	10%	C	9205	Rock	B/O	J
1103	White Pearl	10%	C	9207	Marine	B/O	J
1104	Linen	10%	C	5000	China White	D/O	O
1105	Ebony	10%	C	5001	Ivory	D/O	O
1106	Brown Chocolate	10%	C	5002	Ecru	D/O	O
3101	Bronze	10%	J	5005	Raven	D/O	O
3102	Ebony	10%	J	7001	Frost	Translucent	A
3103	Bronze Gray	10%	J	7002	Eggshell	Translucent	A
3104	White Pearl	10%	J	7003	French Vanilla	Translucent	A
3105	White	10%	C	7004	Buff	Translucent	A
3106	White Linen	10%	C	7005	Earl Gray	Translucent	A
3107	Linen	10%	C	7006	Onyx	Translucent	A



# Color Charts

\*\* These fabrics are approved for exterior use.

## DC® Designer Collection - Vertilux \*

Color #	Name	Openness	Chart	Color #	Name	Openness	Chart
0-004-24-00697	Beetle**	5%	N	0-004-24-00597	Moon Mist**	5%	N
0-004-24-00297	Biscuit**	5%	N	0-004-24-02097	Moutarde**	5%	N
0-004-24-01297	Bison**	5%	N	0-004-24-01797	Nugget Gold**	5%	N
0-004-24-02597	Bitter Chocolate**	5%	N	0-004-24-01897	Nutria**	5%	N
0-004-24-01197	Breen**	5%	N	0-004-24-00197	Pebble**	5%	N
0-004-24-00897	Brown Sugar**	5%	N	0-004-24-02497	Picante**	5%	N
0-004-24-01497	Cappuccino**	5%	N	0-004-24-01697	Pirate Black**	5%	N
0-004-24-02397	Cherry Tomato**	5%	N	0-004-24-02697	Port Royale**	5%	N
0-004-24-02197	Citrus**	5%	N	0-004-24-02897	Purple Sage**	5%	N
0-004-24-02997	Crown Jewel**	5%	N	0-004-24-00797	Shitake**	5%	N
0-004-24-00397	Inca Gold**	5%	N	0-004-24-01397	Skin**	5%	N
0-004-24-01997	Jade Green**	5%	N	0-004-24-02297	Spicy Orange**	5%	N
0-004-24-02797	Jet Set**	5%	N	0-004-24-00497	Swamp**	5%	N
0-004-24-01597	Mocha**	5%	N	0-004-24-00997	Toffee**	5%	N
0-004-24-01097	Monk's Robe**	5%	N				

\* These are specialty fabrics we do not carry in stock. Please note this means a longer manufacturing time.

\*\* These fabrics are approved for exterior use.

## Phifer SheerWeave - In stock Collection

Color #	Style	Color Name	Openness	Chart	Color #	Style	Color Name	Openness	Chart
P12	SW 2390	OYSTER	5%	J	P14	SW 2701	OYSTER/PEARL GRAY	1%	M
P13	SW 2390	OYSTER/BEIGE	5%	J	P28	SW 2701	OYSTER/CHARCOAL	1%	M
P14	SW 2390	OYSTER/PEARL GRAY	5%	J	P91	SW 2701	OYSTER/PEWTER	1%	M
Q20	SW 2390	BEIGE	5%	J	P92	SW 2701	OYSTER/CHESTNUT	1%	M
Q21	SW 2390	BEIGE/PEARL GRAY	5%	J	V21	SW 2701	CHARCOAL	1%	M
V21	SW 2390	CHARCOAL	5%	J	V22	SW 2701	CHARCOAL/GRAY	1%	M
P12	SW 2410	OYSTER	3%	L	V64	SW 2701	CHARCOAL/SLATE	1%	M
P13	SW 2410	OYSTER/BEIGE	3%	L	V65	SW 2701	CHARCOAL/TAUPE	1%	M
P14	SW 2410	OYSTER/PEARL GRAY	3%	L	V66	SW 2701	CHARCOAL/BROWN	1%	M
Q20	SW 2410	BEIGE	3%	L	P12	SW 2703	OYSTER	3%	M
V21	SW 2410	CHARCOAL	3%	L	P13	SW 2703	OYSTER/BEIGE	3%	M
V22	SW 2410	CHARCOAL/GRAY	3%	L	P14	SW 2703	OYSTER/PEARL GRAY	3%	M
V24	SW 2410	CHARCOAL/CHESTNUT	3%	L	P28	SW 2703	OYSTER/CHARCOAL	3%	M
Q21	SW 2410	BEIGE/PEARL GRAY	3%	L	P91	SW 2703	OYSTER/PEWTER	3%	M
V20	SW 2410	PEARL GRAY	3%	L	P92	SW 2703	OYSTER/CHESTNUT	3%	M
V32	SW 2410	CHARCOAL/ALPACA	3%	L	V21	SW 2703	CHARCOAL	3%	M
P14	SW 2500	OYSTER/PEARL GRAY	1%	L	V22	SW 2703	CHARCOAL/GRAY	3%	M
Q20	SW 2500	BEIGE	1%	L	V64	SW 2703	CHARCOAL/SLATE	3%	M
Q21	SW 2500	BEIGE/PEARL GRAY	1%	L	V65	SW 2703	CHARCOAL/TAUPE	3%	M
V20	SW 2500	PEARL GRAY	1%	L	V66	SW 2703	CHARCOAL/BROWN	3%	M
V21	SW 2500	CHARCOAL	1%	L	U58	SW 4400	ECO/CHALK	3%	M
V22	SW 2500	CHARCOAL/GRAY	1%	L	U62	SW 4400	ECO/GRANITE	3%	M
V24	SW 2500	CHARCOAL/CHESTNUT	1%	L	U63	SW 4400	ECO/PEWTER	3%	M
V32	SW 2500	CHARCOAL/ALPACA	1%	L	P62	SW 7000	WHITE	B/O	O
P12	SW 2500	OYSTER	1%	L	P64	SW 7000	SAND	B/O	O
P13	SW 2500	OYSTER/BEIGE	1%	L	V39	SW 7000	GRAPHITE	B/O	O
P12	SW 2701	OYSTER	1%	M	R13	SW 7500	ICE	B/O	H
P13	SW 2701	OYSTER/BEIGE	1%	M					

All Phifer SheerWeave fabrics listed above are in stock.

For all other styles please contact your sales rep or customer service for the full list of fabric pricing.

The purple line is our max width on pocket hembar & seams.  
 The beyond the red line requires a spring assist to be covered by our warranty.

# Pricing Charts

Chart A		Spring Assist Recommended																
WIDTH TO:	24"	30"	36"	42"	48"	54"	60"	66"	72"	78"	84"	90"	96"	108"	120"	132"	144"	156"
36"	559	610	679	760	840	928	1018	1081	1132	1452	1832	1912	2000	2187	2389	2612	2853	3117
42"	586	644	722	803	887	971	1070	1132	1199	1521	1920	2019	2112	2309	2524	2756	3014	3291
48"	619	679	760	851	928	1012	1121	1194	1265	1585	2019	2125	2221	2427	2655	2900	3171	3467
54"	638	700	786	879	977	1074	1188	1252	1321	1648	2110	2228	2329	2546	2782	3044	3323	3633
60"	657	722	803	915	1020	1132	1244	1317	1386	1710	2198	2326	2432	2659	2906	3177	3474	3796
66"	675	737	825	941	1063	1177	1287	1364	1433	1794	2303	2432	2543	2780	3042	3321	3630	3970
72"	687	758	851	971	1096	1218	1338	1405	1484	1880	2408	2537	2653	2898	3169	3465	3787	4137
78"	700	780	864	986	1113	1239	1364	1441	1521	1901	2462	2614	2735	2986	3265	3568	3899	4262
84"	722	791	879	1012	1132	1263	1392	1471	1562	1920	2511	2687	2810	3070	3355	3665	4006	4378
90"	758	833	922	1057	1177	1302	1433	1521	1607	1991	2522	2771	2894	3166	3459	3781	4133	4513
96"	791	864	967	1096	1218	1343	1471	1562	1648	2054	2670	2846	2977	3254	3557	3886	4249	4642
108"	814	898	1005	1169	1343	1508	1658	1766	1862	2187	2846	3059	3196	3493	3819	4176	4565	4992
Spring Assist Recommended 114"	932	1023	1141	1317	1489	1671	1832	1946	2049	2339	3044	3261	3407	3725	4071	4451	4861	5315
120"	1007	1106	1227	1405	1568	1764	1918	2030	2142	2380	3091	3310	3461	3783	4135	4515	4937	5398
126"	1074	1186	1317	1489	1650	1843	2002	2112	2236	2423	3145	3360	3510	3837	4191	4582	5005	5474
132"	1162	1280	1420	1607	1779	1994	2165	2281	2417	2623	3392	3626	3792	4142	4524	4945	5407	5907
138"	1252	1383	1532	1738	1923	2155	2333	2466	2612	2833	3663	3920	4094	4477	4894	5347	5843	6389
144"	1364	1504	1669	1890	2094	2346	2546	2685	2844	3083	3993	4273	4468	4885	5332	5828	6369	6962

Chart B		Spring Assist Recommended																
WIDTH TO:	24"	30"	36"	42"	48"	54"	60"	66"	72"	78"	84"	90"	96"	108"	120"	132"	144"	156"
36"	550	602	668	749	828	917	1002	1065	1119	1434	1806	1887	1974	2154	2354	2574	2814	3074
42"	577	635	712	791	874	957	1054	1119	1181	1499	1893	1993	2084	2277	2489	2719	2970	3246
48"	610	668	749	839	917	996	1104	1177	1247	1565	1993	2096	2192	2395	2619	2860	3128	3416
54"	629	693	774	865	963	1059	1171	1237	1301	1623	2082	2198	2298	2511	2744	2999	3277	3582
60"	648	712	791	905	1009	1119	1229	1297	1366	1685	2165	2296	2399	2623	2864	3134	3423	3740
66"	664	726	814	928	1048	1160	1268	1347	1411	1770	2269	2399	2509	2742	2997	3275	3580	3914
72"	677	747	839	957	1079	1200	1318	1384	1463	1856	2372	2503	2617	2858	3126	3414	3732	4080
78"	693	768	851	971	1096	1225	1347	1420	1499	1876	2428	2576	2694	2945	3217	3516	3842	4203
84"	712	778	865	996	1119	1245	1372	1453	1542	1893	2474	2648	2769	3028	3306	3613	3948	4317
90"	747	822	911	1042	1160	1283	1411	1499	1584	1966	2484	2733	2854	3120	3408	3726	4072	4450
96"	778	851	953	1079	1200	1326	1453	1542	1623	2024	2634	2808	2937	3207	3508	3831	4190	4577
108"	805	884	990	1152	1326	1486	1633	1739	1835	2154	2808	3014	3153	3445	3767	4118	4502	4919
Spring Assist Recommended 114"	919	1011	1127	1297	1467	1650	1806	1918	2019	2308	2999	3213	3360	3674	4014	4386	4792	5237
120"	992	1090	1208	1384	1548	1737	1891	2001	2111	2345	3049	3265	3410	3728	4076	4452	4867	5322
126"	1059	1169	1297	1467	1625	1816	1976	2084	2206	2391	3099	3310	3462	3784	4132	4518	4936	5396
132"	1146	1262	1399	1584	1756	1968	2134	2248	2383	2584	3346	3576	3736	4085	4460	4875	5330	5824
138"	1237	1364	1509	1712	1895	2123	2302	2430	2574	2792	3611	3865	4037	4415	4826	5272	5760	6299
144"	1347	1482	1648	1866	2067	2314	2511	2646	2802	3041	3937	4213	4406	4813	5257	5745	6278	6864

Chart C		Spring Assist Recommended																
WIDTH TO:	24"	30"	36"	42"	48"	54"	60"	66"	72"	78"	84"	90"	96"	108"	120"	132"	144"	156"
36"	573	628	696	781	864	958	1049	1110	1168	1497	1883	1968	2060	2251	2459	2688	2937	3210
42"	605	662	743	828	911	998	1100	1168	1232	1563	1975	2079	2174	2376	2597	2837	3102	3387
48"	637	696	781	875	958	1043	1155	1227	1302	1633	2079	2187	2287	2499	2733	2987	3264	3567
54"	656	724	807	902	1004	1104	1221	1291	1361	1697	2172	2293	2397	2620	2862	3132	3423	3741
60"	675	743	828	945	1053	1168	1282	1355	1425	1758	2261	2395	2503	2737	2992	3270	3574	3905
66"	692	758	849	968	1094	1210	1323	1406	1476	1847	2370	2503	2618	2860	3130	3421	3739	4087
72"	709	779	875	998	1125	1255	1378	1444	1527	1936	2478	2612	2731	2985	3261	3565	3896	4257
78"	724	800	888	1013	1147	1278	1406	1484	1563	1958	2533	2690	2813	3072	3359	3671	4011	4387
84"	743	815	902	1043	1168	1299	1431	1516	1609	1975	2584	2767	2892	3159	3452	3773	4121	4508
90"	779	858	951	1087	1210	1338	1476	1563	1652	2051	2595	2852	2981	3257	3559	3890	4251	4646
96"	815	888	994	1125	1255	1384	1516	1609	1697	2115	2748	2930	3064	3348	3663	4000	4372	4777
108"	841	926	1036	1202	1384	1550	1707	1818	1917	2251	2930	3147	3289	3595	3930	4300	4697	5134
Spring Assist Recommended 114"	960	1055	1176	1355	1531	1722	1883	2000	2106	2408	3132	3355	3506	3833	4191	4578	5003	5465
120"	1038	1140	1263	1444	1616	1815	1973	2087	2202	2450	3181	3406	3561	3892	4253	4648	5081	5555
126"	1104	1219	1355	1531	1699	1898	2062	2174	2302	2495	3236	3457	3612	3947	4315	4718	5153	5633
132"	1195	1316	1459	1652	1832	2053	2229	2348	2486	2699	3491	3731	3901	4261	4656	5090	5563	6079
138"	1291	1423	1578	1788	1977	2215	2401	2535	2688	2915	3771	4032	4215	4610	5039	5504	6015	6576
144"	1406	1546	1720	1947	2157	2414	2620	2762	2926	3172	4111	4399	4597	5024	5489	5996	6557	7164

Series Surcharges																		
PF-Series	1683	1683	1683	1683	1683	1683												
C-Series	426	450	473	497	521	544	568	592	615	639	662	686	710	757	804	852	899	946
E-Series	1656	1751	1846	1940	2035	2129	2224	2319	2413	2508	2603	2697	2887	3076	3265	3454	3644	4022
EX-Series	1656	1775	1893	2011	2129	2248	2366	2484	2603	2721	2839	2958	3076	3312	3549	3786	4022	4259
Panel Track	404	426	450	472	494	516	540	562	584	607	629	652	674	718	765	808	854	898
BU-Series	2041	2100	2160	2221	2281	2340	2401	2461	2521	2581	2642	2701	2761	2882	2982			

Fascia Surcharges																		
3"	388	409	429	457	498	534	565	600	637	672	703	780	780	844	915	982	1058	1127
4"	416	440	465	522	568	623	674	725	735	783	838	931	931	1032	1133	1234	1327	1427
5 1/2"	583	617	653	731	797	873	945	1017	1031	1098	1175	1305	1305	1447	1589	1730	1861	2000
7"	1111	1172	1241	1392	1514	1655	1796	1936	1960	2091	2233	2481	2481	2754	3019	3292	3541	3807
Headbox	281	352	422	493	562	633	703	774	845	915	984	1055	1126	1267	1407	1548	1687	1829

Hembar Surcharges																		
External Hembar	48	63	74	87	98	111	122	135	146	161	173	185	197	221	246	271	295	319
Fabric Wrapped	53	67	80	93	106	120	133	146	159	173	188	201	213	239	265	294	319	345



The purple line is our max width on pocket hembar & seams.  
 The beyond the red line requires a spring assist to be covered by our warranty.

# Pricing Charts

Chart G		Spring Assist Recommended																
WIDTH TO:	24"	30"	36"	42"	48"	54"	60"	66"	72"	78"	84"	90"	96"	108"	120"	132"	144"	156"
36"	645	706	785	878	967	1073	1177	1247	1310	1677	2115	2210	2312	2526	2760	3016	3296	3601
42"	679	741	832	930	1025	1121	1235	1310	1384	1756	2217	2335	2439	2665	2912	3184	3481	3802
48"	714	785	878	980	1073	1169	1295	1380	1461	1833	2335	2455	2567	2806	3066	3352	3661	4002
54"	735	812	909	1017	1129	1241	1370	1447	1526	1901	2437	2574	2692	2941	3215	3512	3840	4197
60"	755	832	930	1059	1181	1310	1436	1519	1600	1974	2538	2688	2810	3072	3356	3667	4010	4384
66"	780	849	953	1086	1227	1359	1486	1577	1654	2073	2659	2810	2939	3213	3510	3838	4195	4583
72"	797	872	980	1121	1266	1407	1544	1623	1714	2173	2781	2931	3063	3350	3659	4000	4371	4778
78"	812	901	998	1139	1287	1432	1577	1665	1756	2196	2841	3018	3155	3452	3769	4120	4504	4919
84"	832	915	1017	1169	1310	1455	1606	1702	1804	2217	2900	3105	3244	3545	3875	4234	4626	5054
90"	872	961	1067	1218	1359	1503	1654	1756	1856	2302	2910	3198	3346	3655	3993	4363	4772	5216
96"	915	998	1117	1266	1407	1550	1702	1804	1901	2370	3082	3288	3437	3757	4107	4487	4907	5361
108"	942	1040	1162	1349	1550	1741	1914	2036	2148	2526	3288	3530	3692	4037	4413	4821	5270	5760
Spring Assist Recommended 114"	1075	1183	1318	1519	1719	1934	2115	2246	2364	2702	3512	3765	3935	4303	4701	5137	5612	6135
120"	1164	1279	1416	1623	1814	2034	2215	2343	2472	2750	3572	3823	3995	4367	4774	5218	5701	6231
126"	1241	1368	1519	1719	1903	2127	2314	2439	2584	2800	3630	3879	4056	4429	4840	5291	5785	6320
132"	1339	1478	1638	1856	2057	2304	2499	2636	2790	3028	3921	4188	4377	4782	5226	5712	6241	6818
138"	1447	1598	1768	2005	2219	2484	2696	2843	3016	3269	4232	4527	4732	5170	5650	6177	6750	7376
144"	1579	1737	1932	2186	2420	2709	2941	3101	3283	3564	4616	4934	5158	5635	6160	6733	7358	8041
Chart H		Spring Assist Recommended																
WIDTH TO:	24"	30"	36"	42"	48"	54"	60"	66"	72"	78"	84"	90"	96"	108"	120"	132"	144"	156"
36"	677	741	824	924	1017	1127	1235	1310	1374	1762	2221	2320	2426	2653	2897	3167	3460	3782
42"	714	778	874	975	1077	1177	1297	1374	1453	1843	2329	2451	2561	2800	3059	3342	3655	3993
48"	749	824	924	1027	1127	1229	1359	1449	1536	1924	2451	2578	2696	2945	3219	3520	3844	4203
54"	772	853	955	1067	1185	1301	1438	1519	1602	1997	2559	2702	2825	3088	3375	3688	4031	4406
60"	793	874	975	1112	1239	1374	1509	1596	1679	2073	2665	2823	2951	3225	3524	3852	4209	4604
66"	820	890	1000	1139	1287	1428	1559	1656	1737	2177	2792	2951	3084	3373	3686	4029	4404	4813
72"	836	915	1027	1177	1328	1478	1621	1704	1799	2283	2920	3078	3217	3518	3842	4201	4589	5017
78"	853	946	1048	1196	1351	1505	1656	1748	1843	2306	2985	3169	3313	3624	3958	4325	4728	5166
84"	874	961	1067	1229	1374	1528	1687	1787	1893	2329	3045	3261	3408	3721	4068	4446	4859	5307
90"	915	1009	1119	1279	1428	1579	1737	1843	1949	2418	3055	3358	3512	3838	4193	4583	5010	5475
96"	961	1048	1173	1328	1478	1629	1787	1893	1997	2489	3236	3454	3609	3946	4313	4711	5151	5629
108"	990	1092	1220	1418	1629	1829	2009	2138	2256	2653	3454	3707	3877	4238	4633	5062	5533	6048
Spring Assist Recommended 114"	1129	1241	1384	1596	1804	2030	2221	2358	2482	2837	3688	3952	4132	4516	4936	5394	5895	6442
120"	1222	1343	1488	1704	1905	2136	2327	2460	2594	2887	3750	4014	4195	4585	5012	5477	5988	6542
126"	1301	1436	1596	1804	1999	2235	2428	2561	2713	2941	3811	4072	4257	4651	5081	5554	6073	6635
132"	1405	1552	1721	1949	2161	2420	2623	2769	2929	3180	4116	4396	4597	5021	5488	5996	6552	7161
138"	1519	1677	1858	2105	2331	2609	2831	2987	3167	3433	4442	4753	4969	5428	5932	6484	7088	7746
144"	1658	1824	2028	2296	2543	2846	3088	3257	3447	3740	4846	5181	5415	5917	6467	7069	7725	8443
Chart I		Spring Assist Recommended																
WIDTH TO:	24"	30"	36"	42"	48"	54"	60"	66"	72"	78"	84"	90"	96"	108"	120"	132"	144"	156"
36"	712	776	865	969	1067	1183	1297	1374	1442	1849	2331	2437	2549	2785	3043	3325	3632	3970
42"	749	818	917	1023	1131	1237	1362	1442	1526	1934	2445	2574	2690	2939	3211	3510	3838	4193
48"	787	865	969	1079	1183	1289	1428	1521	1613	2022	2574	2706	2831	3093	3381	3697	4037	4413
54"	809	897	1002	1121	1243	1368	1511	1594	1683	2096	2688	2837	2966	3242	3545	3873	4234	4626
60"	832	917	1023	1169	1301	1442	1584	1675	1764	2177	2798	2964	3099	3385	3701	4043	4421	4834
66"	859	936	1050	1196	1353	1499	1638	1737	1824	2285	2931	3099	3240	3543	3871	4230	4624	5054
72"	878	961	1079	1237	1395	1552	1702	1789	1889	2397	3066	3232	3379	3694	4035	4411	4819	5268
78"	897	994	1100	1256	1418	1579	1737	1835	1934	2422	3134	3327	3479	3804	4155	4541	4965	5423
84"	917	1009	1121	1289	1442	1604	1770	1876	1988	2445	3196	3423	3578	3908	4271	4668	5102	5573
90"	961	1061	1175	1343	1499	1658	1824	1934	2046	2538	3209	3526	3688	4029	4402	4811	5259	5749
96"	1009	1100	1231	1395	1552	1710	1876	1988	2096	2613	3398	3626	3790	4143	4529	4948	5409	5911
108"	1040	1146	1281	1488	1710	1920	2109	2246	2368	2785	3626	3894	4072	4450	4863	5315	5809	6349
Spring Assist Recommended 114"	1185	1303	1453	1675	1895	2132	2331	2474	2607	2980	3873	4151	4340	4743	5183	5664	6189	6764
120"	1285	1409	1561	1789	2001	2244	2443	2584	2725	3032	3937	4215	4404	4813	5264	5751	6287	6870
126"	1368	1509	1675	1895	2098	2345	2551	2690	2848	3088	4002	4276	4471	4884	5336	5832	6378	6968
132"	1476	1629	1806	2046	2269	2540	2754	2906	3076	3337	4321	4616	4826	5272	5762	6297	6880	7518
138"	1594	1760	1951	2210	2447	2740	2972	3136	3325	3605	4664	4990	5218	5699	6229	6810	7443	8134
144"	1741	1916	2129	2410	2669	2987	3242	3418	3620	3929	5089	5440	5687	6214	6791	7422	8111	8865
Series Surcharges																		
PF-Series	1683	1683	1683	1683	1683	1683												
C-Series	426	450	473	497	521	544	568	592	615	639	662	686	710	757	804	852	899	946
E-Series	1656	1751	1846	1940	2035	2129	2224	2319	2413	2508	2603	2697	2887	3076	3265	3454	3644	4022
EX-Series	1656	1775	1893	2011	2129	2248	2366	2484	2603	2721	2839	2958	3076	3312	3549	3786	4022	4259
Panel Track	404	426	450	472	494	516	540	562	584	607	629	652	674	718	765	808	854	898
BU-Series	2041	2100	2160	2221	2281	2340	2401	2461	2521	2581	2642	2701	2761	2882	2982			
Fascia Surcharges																		
3"	388	409	429	457	498	534	565	600	637	672	703	780	780	844	915	982	1058	1127
4"	416	440	465	522	568	623	674	725	735	783	838	931	931	1032	1133	1234	1327	1427
5 1/2"	583	617	653	731	797	873	945	1017	1031	1098	1175	1305	1305	1447	1589	1730	1861	2000
7"	1111	1172	1241	1392	1514	1655	1796	1936	1960	2091	2233	2481	2481	2754	3019	3292	3541	3807
Headbox	281	352	422	493	562	633	703	774	845	915	984	1055	1126	1267	1407	1548	1687	1829
Hembar Surcharges																		
External Hembar	48	63	74	87	98	111	122	135	146	161	173	185	197	221	246	271	295	319
Fabric Wrapped	53	67	80	93	106	120	133	146	159	173	188	201	213	239	265	294	319	345

**Roller Shades**





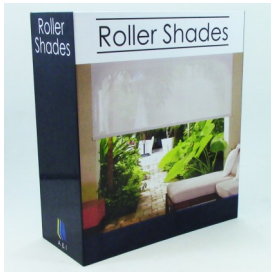


# Pricing Charts

The purple line is our max width on pocket hembar & seams.  
The beyond the red line requires a spring assist to be covered by our warranty.

Chart P		Spring Assist Recommended																	
WIDTH TO:	24"	30"	36"	42"	48"	54"	60"	66"	72"	78"	84"	90"	96"	108"	120"	132"	144"	156"	
36"	2628	2868	3194	3576	3941	4369	4788	5077	5328	6828	8607	8999	9408	10284	11235	12277	13414	14662	
42"	2767	3018	3391	3782	4174	4564	5031	5328	5635	7144	9026	9502	9929	10853	11858	12958	14170	15481	
48"	2906	3194	3576	3987	4369	4759	5272	5616	5953	7462	9502	9996	10452	11422	12482	13647	14904	16293	
54"	2991	3306	3699	4137	4593	5050	5579	5888	6214	7742	9921	10479	10955	11970	13088	14298	15631	17084	
60"	3074	3391	3782	4313	4807	5328	5851	6185	6511	8039	10330	10946	11440	12501	13665	14933	16320	17847	
66"	3176	3456	3875	4415	4994	5533	6046	6418	6735	8439	10824	11440	11961	13078	14290	15623	17075	18659	
72"	3242	3549	3987	4564	5151	5728	6289	6604	6978	8850	11318	11932	12474	13638	14896	16283	17791	19450	
78"	3306	3670	4062	4639	5234	5832	6418	6772	7144	8943	11569	12287	12845	14047	15342	16768	18333	20029	
84"	3391	3726	4137	4759	5328	5926	6540	6930	7341	9026	11804	12642	13209	14429	15772	17233	18835	20577	
90"	3549	3912	4342	4956	5533	6121	6735	7144	7555	9371	11849	13024	13620	14877	16256	17764	19423	21231	
96"	3726	4062	4545	5151	5728	6316	6930	7341	7742	9651	12549	13387	13991	15297	16720	18267	19973	21826	
108"	3838	4230	4732	5496	6316	7090	7787	8292	8746	10284	13387	14373	15035	16432	17960	19628	21453	23447	
Spring Assist Recommended	114"	4377	4815	5365	6185	6997	7872	8607	9139	9622	11002	14298	15324	16023	17513	19134	20913	22852	24975
120"	4741	5208	5766	6604	7387	8281	9018	9539	10060	11197	14541	15566	16264	17775	19431	21239	23215	25365	
126"	5050	5571	6185	6997	7750	8663	9419	9929	10517	11403	14774	15791	16507	18034	19703	21538	23549	25728	
132"	5450	6017	6671	7555	8375	9381	10172	10730	11355	12324	15957	17046	17820	19468	21276	23252	25402	27760	
138"	5888	6503	7200	8161	9037	10116	10973	11579	12277	13312	17225	18427	19265	21044	22999	25143	27480	30033	
144"	6428	7071	7862	8896	9857	11029	11970	12623	13368	14504	18790	20085	20996	22943	25077	27405	29950	32735	
<b>Series Surcharges</b>																			
PF-Series	1683	1683	1683	1683	1683	1683													
C-Series	426	450	473	497	521	544	568	592	615	639	662	686	710	757	804	852	899	946	
E-Series	1656	1751	1846	1940	2035	2129	2224	2319	2413	2508	2603	2697	2887	3076	3265	3454	3644	4022	
EX-Series	1656	1775	1893	2011	2129	2248	2366	2484	2603	2721	2839	2958	3076	3312	3549	3786	4022	4259	
Panel Track	404	426	450	472	494	516	540	562	584	607	629	652	674	718	765	808	854	898	
BU-Series	2041	2100	2160	2221	2281	2340	2401	2461	2521	2581	2642	2701	2761	2882	2982				
<b>Fascia Surcharges</b>																			
3"	388	409	429	457	498	534	565	600	637	672	703	780	780	844	915	982	1058	1127	
4"	416	440	465	522	568	623	674	725	735	783	838	931	931	1032	1133	1234	1327	1427	
5 1/2"	583	617	653	731	797	873	945	1017	1031	1098	1175	1305	1305	1447	1589	1730	1861	2000	
7"	1111	1172	1241	1392	1514	1655	1796	1936	1960	2091	2233	2481	2481	2754	3019	3292	3541	3807	
Headbox	281	352	422	493	562	633	703	774	845	915	984	1055	1126	1267	1407	1548	1687	1829	
<b>Hembar Surcharges</b>																			
External Hembar	48	63	74	87	98	111	122	135	146	161	173	185	197	221	246	271	295	319	
Fabric Wrapped	53	67	80	93	106	120	133	146	159	173	188	201	213	239	265	294	319	345	

## Samples



### Roller Shade Book

Our complete collection of in stock roller fabrics.

119 Different Sku's

### DC® - Vertilux

A beautiful collection of sun screens. This is a specialty order expect 4 to 6 week delivery. European Made Fabrics.

Different Sku's

Sku # SAI029

\$45.00

### Vertilux®

A beautiful collection of sun screens. This is a specialty order expect 4 to 6 week delivery. European Made Fabrics.

Different Sku's

Sku # SAI031

### Contract Fabrics

Our collection of affordable in stock fabrics, and for large jobs a better discount.

80 Different Sku's

Sku # SAI035

### Rollux® - Vertilux

A beautiful collection of sun screens. This is a specialty order expect 4 to 6 week delivery. European Made Fabrics.

Different Sku's

Sku # SAI030

\$50.00



## **Statement of Warranty**

A&I Manufacturing is proud to extend a Limited Lifetime Warranty on our Roller Shades. Each product is warranted to the original residential retail purchaser to be free from manufacturing defects in materials and workmanship as long as the product remains in the original window. This Limited Lifetime Warranty is not valid for products used for commercial use, rentals, and non-residential use in which cases there is a Limited 1 Year Warranty.

**A&I proudly offers a 5 Year Limited Lifetime Warranty on all cords and components for all of our Roller Shade product lines for residential use.**



## **Warranty Exclusions**

This Limited Lifetime Warranty does not cover any product that fails due to:

- Accidents
- Alteration
- Misuse
- Abuse/Extraordinary Use
- Misapplication
- Improper handling
- Improper Installation
- Any conditions caused by normal wear and tear over the passage of time
- Cleaning
- Loss of color intensity
- Exposure to salt-air, or extreme heat
- Damage from insects or pets
- Damage from water
- Yellowing or cracking of plastic parts with the passage of time

## **Cord & Components Warranty**

This Limited Lifetime Warranty **does not** cover transportation costs to and from the retailer, costs of removal, re-measure, or reinstallation of product, or any incidental or consequential damages.

## **Warranty Remedies**

If an A&I Manufacturing product is found to be defective in materials or workmanship, we will, at our discretion: repair, replace or refund the cost of the product which fails to conform to this Limited Lifetime Warranty.

Colors do vary from lot to lot and may not exactly match sample swatch or previously purchased product. Discontinued items or colors will be replaced with the closest equivalent available. This shall be the sole remedy under this Limited Lifetime Warranty.

## **To Obtain Service:**

Please return product, along with your original sales receipt or work order, to the original retailer from which the product was purchased and they will return the product to A&I Manufacturing.



**Roller Shade  
ORDER FORM**

Please Fill Out  
Completely &

Sold To: \_\_\_\_\_ Ship To: \_\_\_\_\_

PO#: \_\_\_\_\_  
Side Mark: \_\_\_\_\_  
Quote #: \_\_\_\_\_  
Date: \_\_\_\_\_

Room Codes	Room	Room Codes	Room
ENT	Entry	BTH	Bath
LV	Living Room	MBTH	Master Bath
KT	Kitchen	GA	Garage
DR	Dinning Room	LDR	Laundry
BR#	Bedroom (1, 2, 3)	FR	Family Room
MBR	Master Bed Room	OF	Office

A&I Delivery  
 Will Call  
 Fed Ex  
 Freight

Ordered By: \_\_\_\_\_  
Phone #: \_\_\_\_\_  
Fax #: \_\_\_\_\_  
Email: \_\_\_\_\_  
Account #: \_\_\_\_\_

Fascia Sizes      Fascia Colors \*

3" Square  5 1/2" Square  White  Bronze   
 3" Curved  7" Square  Ivory  Black   
 4" Square  Head Box  Anodized   
 4" Curved

\* Not all Fascia Styles are available in every color. Please double check with your catalog.

Line #	Room Code	Qty	Width	Height	Color		Name	Control Options			Hembar		Notes	Price
					Number	Mount		Control Location	Spring Assist	Motor	Wrapped	Un-Wrapped		
1														
2														
3														
4														
5														
6														
7														
8														
9														
10														
11														
12														
13														
14														
15														

Additional Notes: \_\_\_\_\_

Revised 9/22/16

	Sub-Total
	Surcharges/ Freight
	Total