



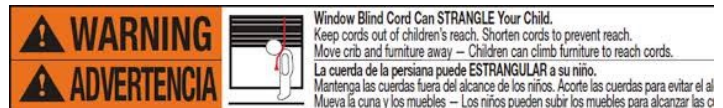
General:	Assembled by A&I Manufacturing, Inc. Environmentally safe.
Head Rail:	1" x 1"x 0.024" Steel. Treated to resist corrosion. Baked-on paint, color coordinated to slats.
Bottom Rail:	C-shaped .024" Steel. Treated to resist corrosion. Baked-on paint, color coordinated to slats.
Slats:	Aluminum Heat Treated and Tempered, 1" wide x .006 thick.
Valance:	Double Slat with clips to mount.
Tilter:	Shall be of worm gear construction, enclosed in housing of engineering polymer; gear and shaft shall be of engineering polymer with slip clutch mechanism. May be positioned at right or left with or without cord lock.
Tilt Rod:	Shall be solid steel with corrosion resistant finish.
Tilt Wands:	Shall be extruded, clear solid acrylic wand.
Cord lock:	Shall be of Snap-In-Design and incorporates stainless steel wear guard over which cords pass and a floating type locking pin. Locking pin shall be free of abrasive teeth and offer minimum wear to the cord.
Lift Cords:	Shall be two-ply polyester cord filler and braided polyester jacket.
Braided Ladders:	Shall be 100% polyester yarn color coordinated with the slats. Spacing shall not be more than 18.5mm (approximately 17 slats per foot of drop).
Installation Brackets:	1 9/16" x 1 3/8" x 1 7/8" x.042 thick steel box brackets. Blinds over 48" shall have intermediate supports.
Tassel:	Shall comply with all safety requirements
Sizes:	Outside mounted window coverings will be made to exact ordered measurements. Inside mounted horizontal blinds will have 1/2" deducted at the factory from width. See Product Limits.

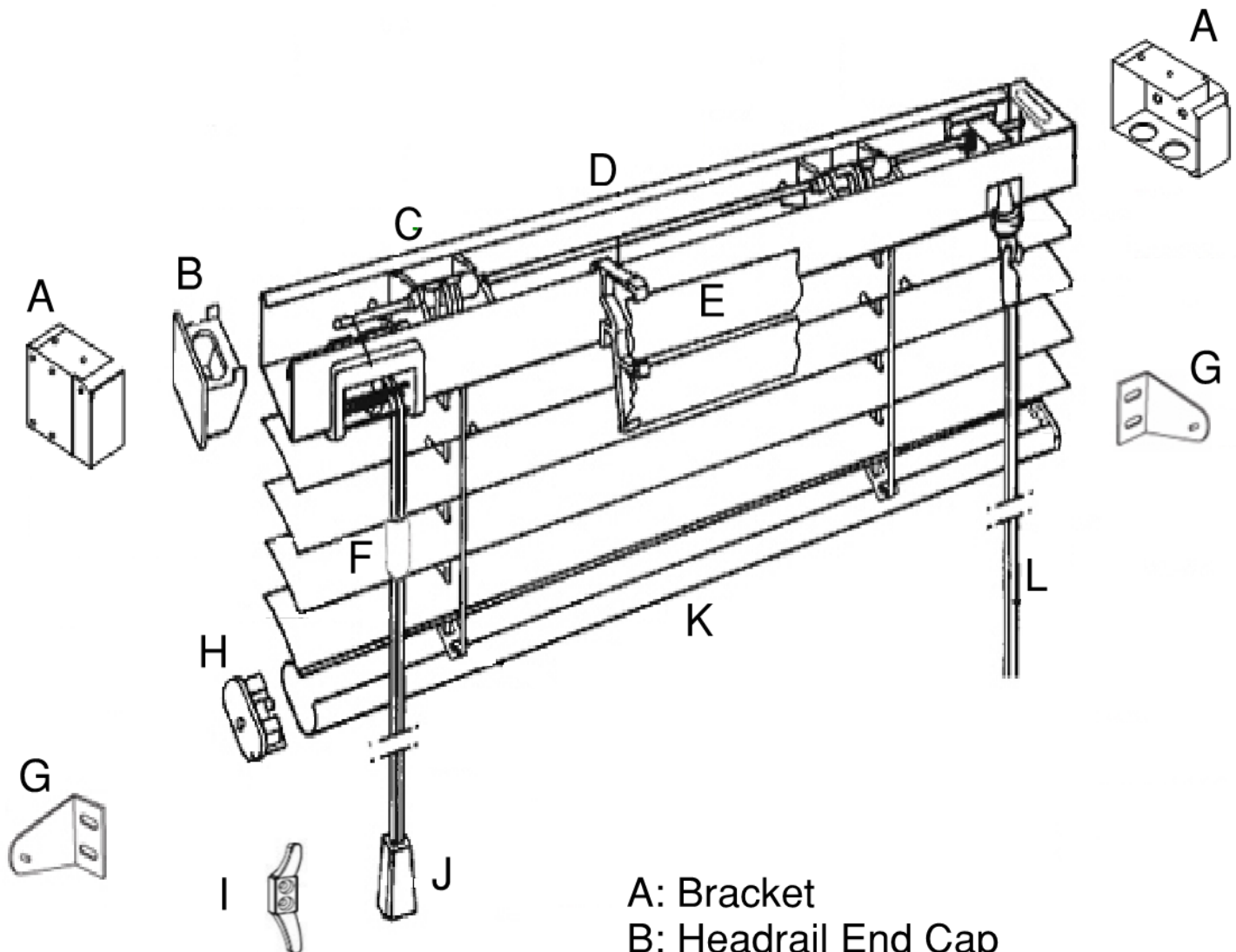
Product Limits

Controls (Manual)	Min. Width	Max. Width	Min. Drop	Max. Drop
Tilt Only-Center of Head Rail	5"	132"	6"	* 126"
Split Controls-[L/R or R/L]	9 1/2"	132"	6"	* 126"
Same Side Controls-[L/L or R/R]	9 1/2"	132"	6"	* 126"

Maximum Sq. Footage *126 Sq. Ft. Under Warranty

* Exceptions Available Upon Request





- A: Bracket
- B: Headrail End Cap
- C: Tilter
- D: Headrail
- E: Valance
- F: Break Away Safety Tassel
- G: Hold Down
- H: Bottomrail End Cap
- I: Lift Cord Cleat
- J: Tassel
- K: Bottomrail
- L: Tilt Wand



Commercial Contract Color Options:

Check One:

- M1043 The White
- M1007 Polar Bear
- M1013 China Stone
- M1022 Coconut