



| | |
|-------------------------------|--|
| General: | Assembled by A&I Manufacturing, Inc. Environmentally safe. |
| Head Rail: | 1" x 1"x 0.024" Steel. Treated to resist corrosion. Baked-on paint, color coordinated to slats. |
| Bottom Rail: | C-Shaped .024" Steel. Treated to resist corrosion. Baked-on paint, color coordinated to slats. |
| Slats: | Aluminum Heat Treated and Tempered, 1" wide x .008 thick. |
| Valance: | Double Slat with clips to mount. |
| Tilter: | Shall be of worm gear construction, enclosed in housing of engineering polymer; gear and shaft shall be of engineering polymer with slip clutch mechanism. May be positioned at right or left with or without cord lock. |
| Tilt Rod: | Shall be solid steel with corrosion resistant finish. |
| Tilt Wands: | Shall be extruded, clear solid acrylic wand. |
| Cord lock: | Shall be of Snap-In-Design and incorporates stainless steel wear guard over which cords pass and a floating type locking pin. Locking pin shall be free of abrasive teeth and offer minimum wear to the cord. |
| Lift Cords: | Shall be two-ply polyester cord filler and braided polyester jacket. |
| Braided Ladders: | Shall be 100% polyester yarn color coordinated with the slats. Spacing shall not be more than 21.5 mm (approximately 14 slats per foot of drop). |
| Installation Brackets: | 1 9/16" x 1 1/4" x 1 5/16" x.042 thick steel box brackets. Blinds over 48" shall have intermediate supports. |
| Tassel: | Shall comply with all safety requirements |
| Sizes: | Outside mounted window coverings will be made to exact ordered measurements. Inside mounted horizontal blinds will have 1/2" deducted at the factory from width. See Product Limits. |

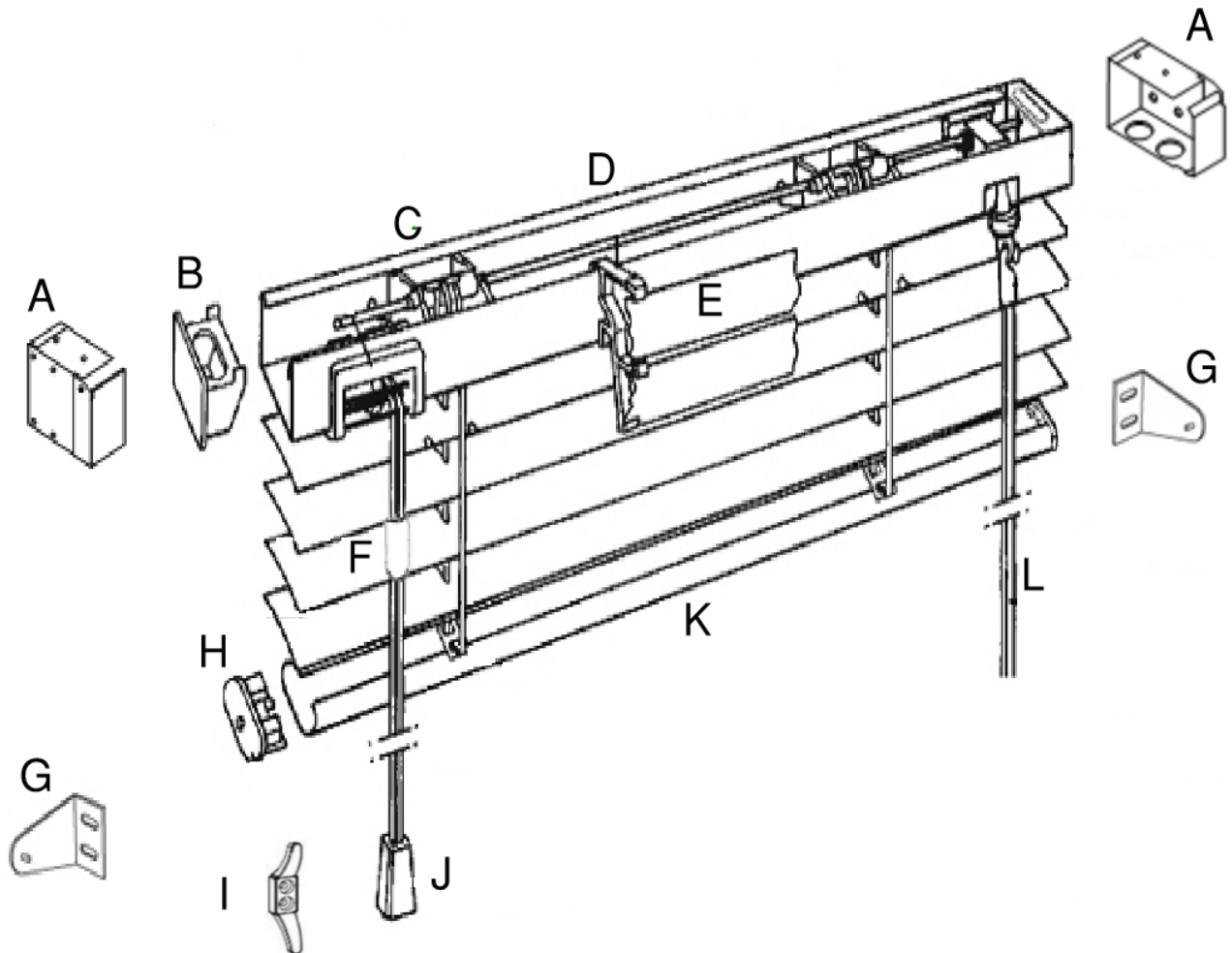
Product Limits

| Controls (Manual) | Min. Width | Max. Width | Min. Drop | Max. Drop |
|---------------------------------|------------|------------|-----------|-----------|
| Tilt Only-Center of Head Rail | 5" | 132" | 6" | * 126" |
| Split Controls-[L/R or R/L] | 9 1/2" | 132" | 6" | * 126" |
| Same Side Controls-[L/L or R/R] | 9 1/2" | 132" | 6" | * 126" |

Maximum Sq. Footage *126 Sq. Ft. Under Warranty

* Exceptions Available Upon Request

| | | |
|--------------------------------------|--|---|
| WARNING ADVERTENCIA | | <p>Window Blind Cord Can STRANGLE Your Child. Keep cords out of children's reach. Shorten cords to prevent reach. Move crib and furniture away – Children can climb furniture to reach cords. La cuerda de la persiana puede ESTRANGULAR a su niño. Mantenga las cuerdas fuera del alcance de los niños. Acorte las cuerdas para evitar el al Mueva la cuna y los muebles – Los niños pueden subir los muebles para alcanzar las o</p> |
|--------------------------------------|--|---|



- A: Bracket
- B: Headrail End Cap
- C: Tilter
- D: Headrail
- E: Valance
- F: Break Away Safety Tassel
- G: Hold Down
- H: Bottomrail End Cap
- I: Lift Cord Cleat
- J: Tassel
- K: Bottomrail
- L: Tilt Wand



Commercial Contract Colors (Check One)

- M1043— The White
- M1007— Polar Bear
- M1013— China Stone
- M1022— Coconut