



General:	Assembled by A&I Manufacturing, Inc. Environmentally safe.
Head Rail:	1.75" x 1.50" x 1/16" extruded aluminum, integrated style. Baked-on paint, color coordinated to slats.
Bottom Rail:	Sculpted, extruded aluminum. Color coordinated to slats.
Head Rail Slat:	Aluminum Heat Treated and Tempered, 1" wide x .006 thick. Color to match head rail.
Slats:	Aluminum Heat Treated and Tempered, 1" wide x .006 thick.
Tilter:	Shall be of worm gear construction, enclosed in housing of engineering polymer; gear and shaft shall be of engineering polymer with slip clutch mechanism. May be positioned at right or left with or without cord lock.
Tilt Rod:	Shall be solid steel with corrosion resistant finish.
Tilt Wand:	Shall be extruded, clear solid acrylic wand.
Cord lock:	Shall be of Snap-In-Design and incorporates stainless steel wear guard over which cords pass and a floating type locking pin. Locking pin shall be free of abrasive teeth and offer minimum wear to the cord.
Lift Cords:	Shall be two-ply polyester cord filler and braided polyester jacket.
Braided Ladders:	Shall be 100% polyester yarn color coordinated with the slats. Spacing shall not be more than 21.5 mm. (approximately 14 slats per foot of drop).
Installation Brackets:	Standard hidden brackets, 1.5" x 1.75" x .042" Zinc Plated Steel. Blinds over 48" wide shall have intermediate supports.
Tassel:	Shall comply with all safety requirements.
Sizes:	Outside mounted window coverings will be made to exact ordered measurements. Inside mounted horizontal blinds will have ½" deducted at the factory from width. See Product Limits.

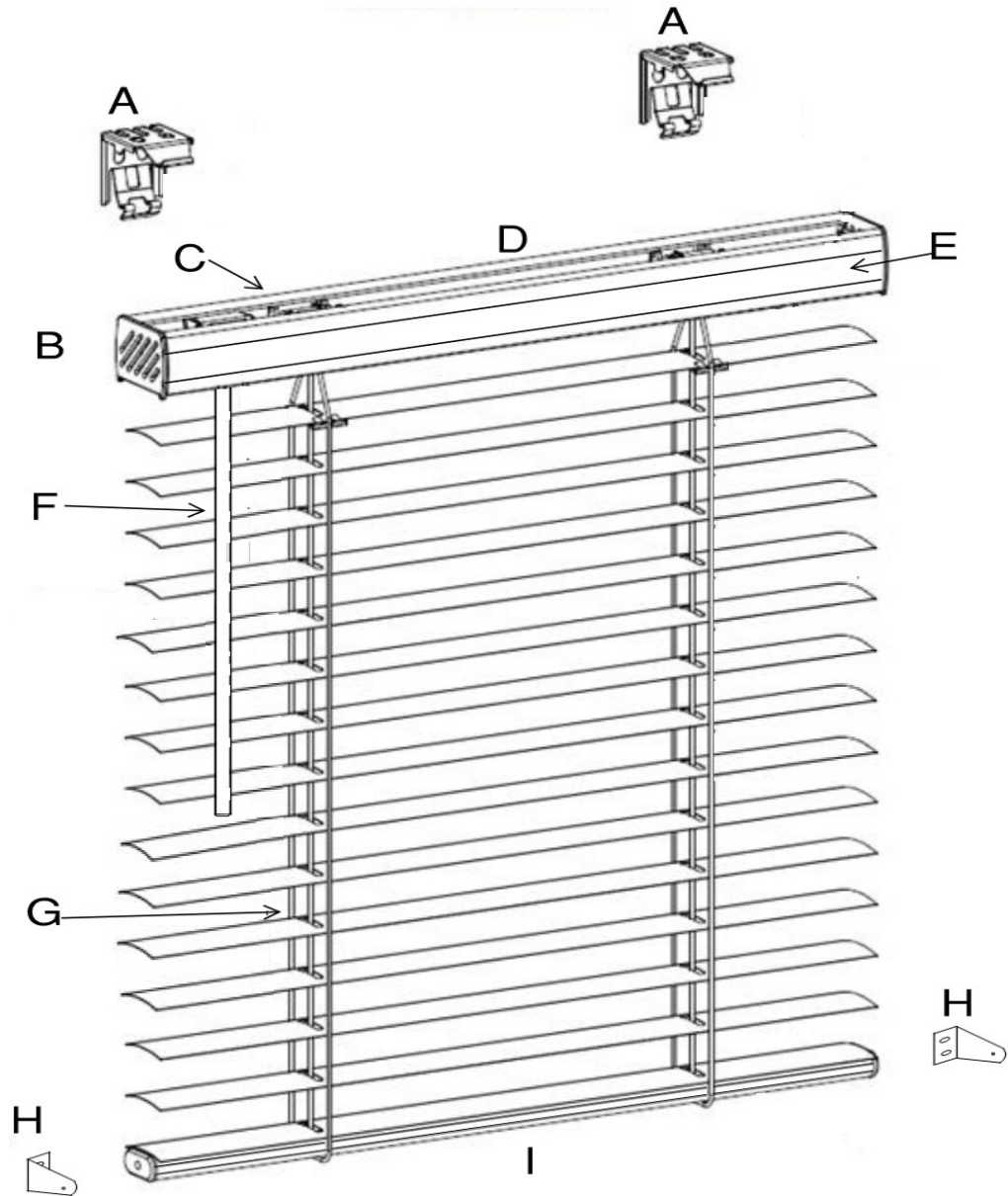
Product Limits

Controls (Manual)	Min. Width	Max. Width	Min. Drop	Max. Drop
Tilt Only	10"	96"	6"	82" *

Maximum Sq. Footage *54 Sq. Ft. Under Warranty

* Exceptions Available Upon Request

 WARNING	 ADVERTENCIA
 Cords on window covering products present a potential strangulation hazard.  For child safety, consider cordless alternatives or products with inaccessible cords.	 Las cuerdas y cadenas y persianas presentan un peligro de estrangulación.  Para la seguridad de los niños, considere alternativas sin cuerdas o productos con cuerdas y cadenas inaccesibles.
<small>SAFLAB-3 04/2013</small>	<small>ANSI/WCMA 5.1.4</small>
<small>SAFLAB-3 04/2013</small>	<small>ANSI/WCMA 5.1.4</small>



- A. Bracket
- B. Headrail endcap
- C. Cordless motor
- D. Headrail
- E. Slat Valance
- F. Wand
- G. Ladder
- H. Hold Down Bracket
- I. Bottom Rail



Commercial Contract Colors (Check One)

- M1043— The White
- M1007— Polar Bear
- M1013— China Stone
- M1022— Coconut