



<b>General:</b>	Assembled by A&I Manufacturing, Inc. <b>Environmentally safe.</b>
<b>Head Rail:</b>	1.75" x 1.50" x 1/16" extruded aluminum, integrated style. Baked-on paint, color coordinated to slats.
<b>Bottom Rail:</b>	Sculpted, extruded aluminum. Color coordinated to slats.
<b>Head Rail Slat:</b>	Aluminum Heat Treated and Tempered, 1" wide x .008 thick. Color to match head rail.
<b>Slats:</b>	Aluminum Heat Treated and Tempered, 1" wide x .008 thick.
<b>Tilter:</b>	Shall be of worm gear construction, enclosed in housing of engineering polymer; gear and shaft shall be of engineering polymer with slip clutch mechanism. May be positioned at right or left with or without cord lock.
<b>Tilt Rod:</b>	Shall be solid steel with corrosion resistant finish.
<b>Tilt Wand:</b>	Shall be extruded, clear solid acrylic wand.
<b>Cord lock:</b>	Shall be of Snap-In-Design and incorporates stainless steel wear guard over which cords pass and a floating type locking pin. Locking pin shall be free of abrasive teeth and offer minimum wear to the cord.
<b>Lift Cords:</b>	Shall be two-ply polyester cord filler and braided polyester jacket.
<b>Braided Ladders:</b>	Shall be 100% polyester yarn color coordinated with the slats. Spacing shall not be more than 22.5 mm. (approximately 13 slats per foot of drop).
<b>Installation Brackets:</b>	Standard hidden brackets, 1.5" x 1.75" x .042" Zinc Plated Steel. Blinds over 48" wide shall have intermediate supports.
<b>Tassel:</b>	Shall comply with all safety requirements.
<b>Sizes:</b>	Outside mounted window coverings will be made to exact ordered measurements. Inside mounted horizontal blinds will have ½" deducted at the factory from width. See Product Limits.

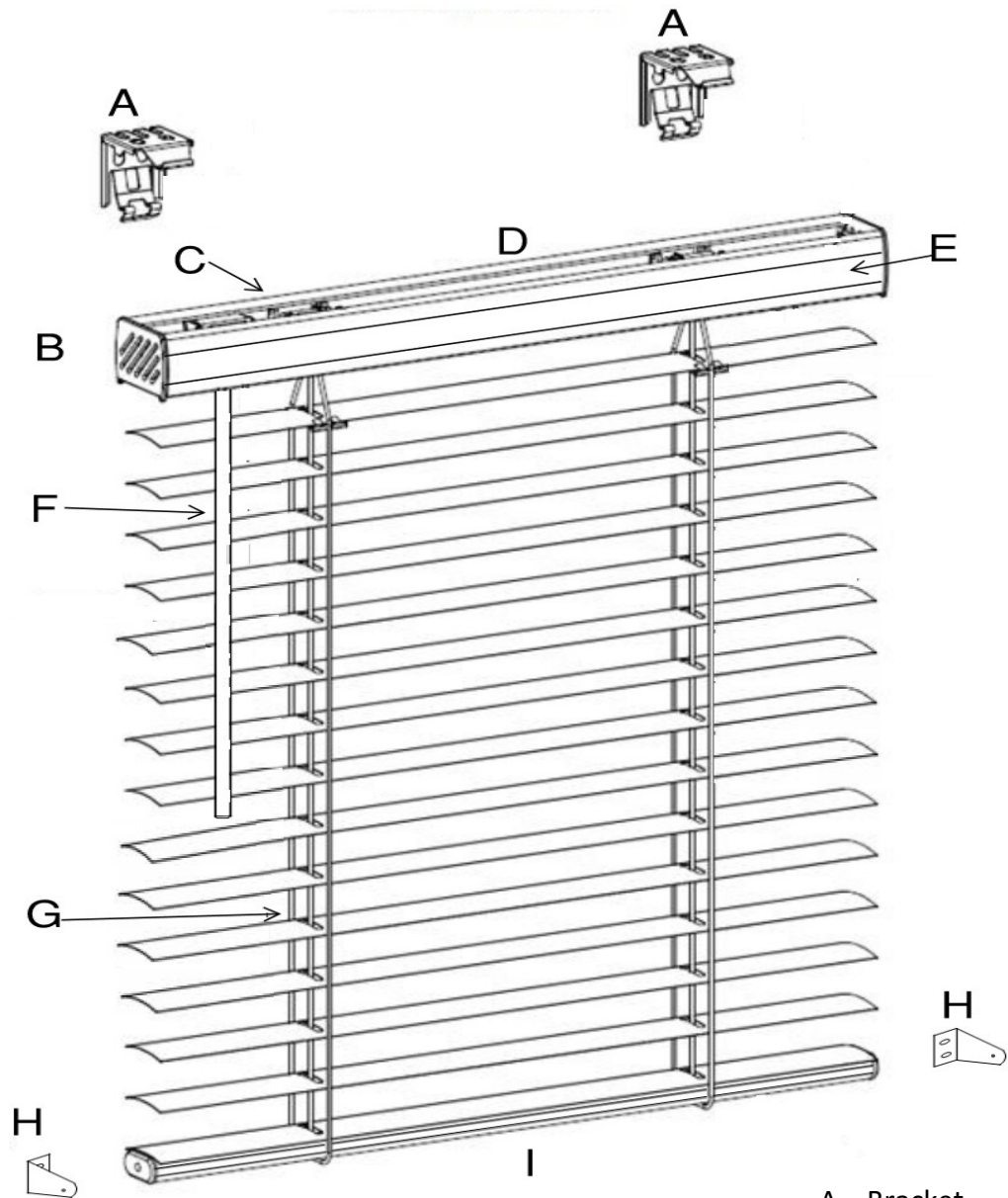
**Product Limits**

Controls (Manual)	Min. Width	Max. Width	Min. Drop	Max. Drop
Tilt Only	10"	96"	6"	82" *

Maximum Sq. Footage \*54 Sq. Ft. Under Warranty

\* Exceptions Available Upon Request

<b>⚠ WARNING</b>		<b>⚠ ADVERTENCIA</b>	
	Cords on window covering products present a potential strangulation hazard.		Las cuerdas y cadenas y persianas presentan un peligro de estrangulación.
	For child safety, consider cordless alternatives or products with inaccessible cords.		Para la seguridad de los niños, considere alternativas sin cuerdas o productos con cuerdas y cadenas inaccesibles.
<small>SAFLAB-3 04/2013</small>	<small>ANSI/WCMA 5.1.4</small>	<small>SAFLAB-3 04/2013</small>	<small>ANSI/WCMA 5.1.4</small>



- A. Bracket
- B. Headrail endcap
- C. Cordless motor
- D. Headrail
- E. Slat Valance
- F. Wand
- G. Ladder
- H. Hold Down Bracket
- I. Bottom Rail



## Commercial Contract Colors (Check One)

- M1043— The White
- M1007— Polar Bear
- M1013— China Stone
- M1022— Coconut