



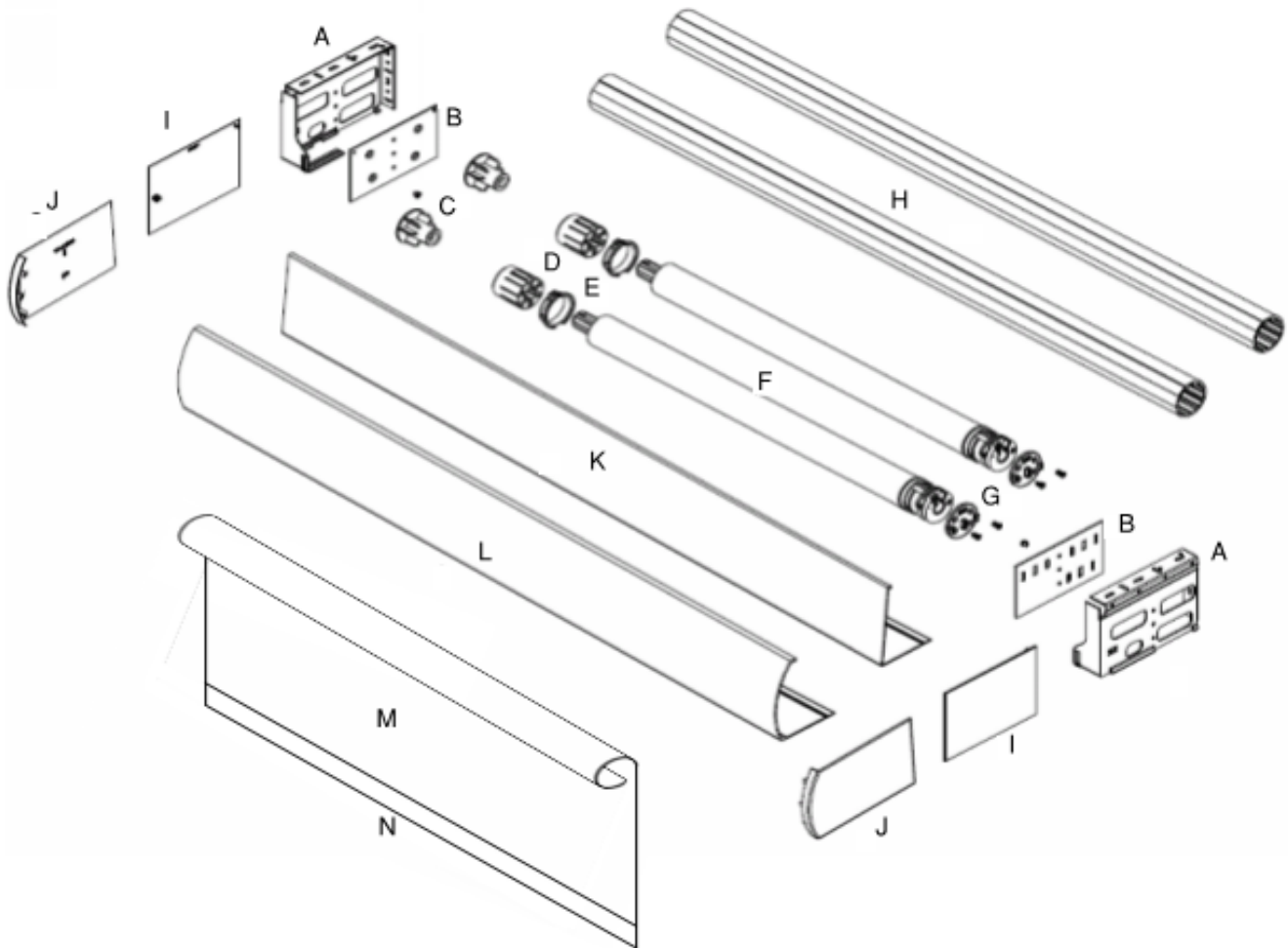
General:	Assembled by A&I Manufacturing, Inc. Environmentally safe.
Operation:	Tubular motor concealed inside roller tube.
Motor:	Totally enclosed, insulated, thermal-overload protection, brake, permanently lubricated bearings and limit switches.
Idle End:	Made from glass fiber reinforced PA6.
Tube:	1 1/2", 1 3/4" hollow extruded aluminum(6063-T5) tube.
Square Fascia:	Square front, 4"x 2 3/4" extruded aluminum(6063-T5). Colors to match brackets and end caps.
Round Fascia:	Round front, 4"x 3 11/32" extruded aluminum(6063-T5). Colors to match brackets and end caps.
Idle End Insert Plate:	5" x 3" , cold rolled steel ASTM A1008. Wall or ceiling mount. Colors: White, Bronze, Alabaster, Anodized, Black.
Motor Insert Plate:	5" x 3" , cold rolled steel ASTM A1008. Wall or ceiling mount. Colors: White, Bronze, Alabaster, Anodized, Black.
Brackets:	5 7/8" x 4 1/8" , cold rolled steel ASTM A1008. Wall or ceiling mount. Colors: White, Bronze, Alabaster, Anodized, Black.
Internal Hembar:	1/8"x1" extruded aluminum 6063-T5 flat stock.
External Hembar:	1 3/6"x 9/16" rectangle, 1 1/2"x3/8" rectangle extruded aluminum 6063-T5. Colors: White, Bronze, Alabaster, Anodized, Black. Available at extra cost.
Fabric:	B/O, 1%, 3%, 5%, 8%, 10%, Translucent openness in various colors.
Control:	RTS wall Switch, hand held RTS remote, wired wall switch.
Sizes:	Outside mounted roller shades will be made to exact ordered measurements. Inside mounted roller shades will have 1/8" deducted at the factory from finished width. See Product Limits.

Product Limits

Controls (Motor)	Min. Width	Max. Width	Min. Drop	Max. Drop
Motor Left	22"	156"	18"	240"
Motor Right	22"	156"	18"	240"



Window Blind Cord Can STRANGLE Your Child.
Keep cords out of children's reach. Shorten cords to prevent reach.
Move crib and furniture away – Children can climb furniture to reach cords.
La cuerda de la persiana puede ESTRANGULAR a su niño.
Mantenga las cuerdas fuera del alcance de los niños. Acorte las cuerdas para evitar el alcance.
Mueva la cuna y los muebles – Los niños pueden subir los muebles para alcanzar las cuerdas.



- A: Dual Roller Shade Brackets
- B: Insert Plates
- C: Idle Ends
- D: Drives
- E: Crowns
- F: Motors
- G: Motor Adapter Plate
- H: Tubes
- I: Square Fascia Bracket End Caps
- J: Round Fascia Bracket End Caps
- K: Square Fascia
- L: Round Fascia
- M: Fabric
- N: Enclosed Hem Bar