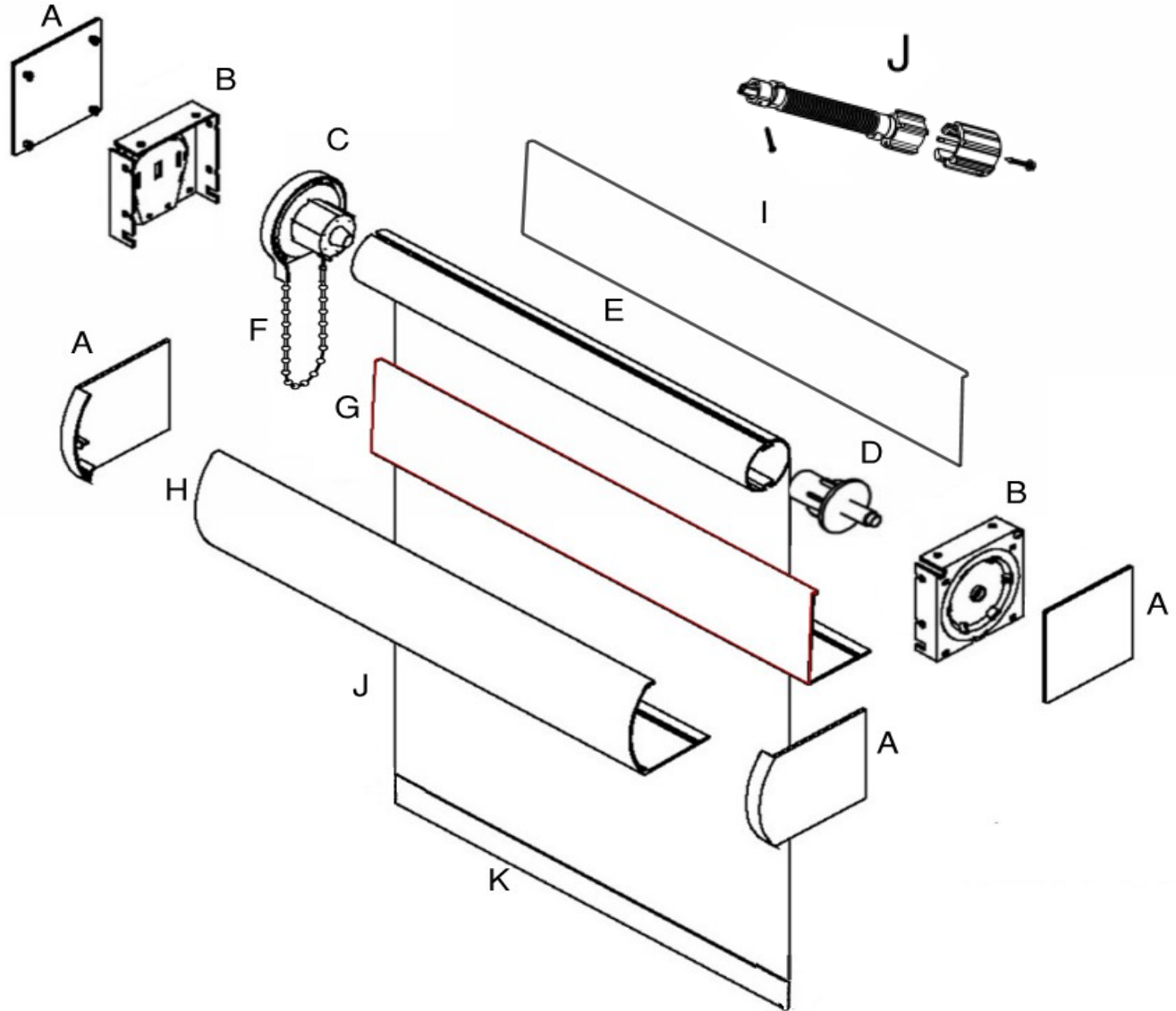




General:	Assembled by A&I Manufacturing, Inc. Environmentally safe.
Operation:	Bead chain through manual clutch mechanism.
Clutch:	Bead chain driven assisted by a stainless steel spring and spring shim. Clutch housing made from PA6.
Spring Assist:	Spring Assembly to assist in raising and lowering of heavy roller shades, to use Mount on the clutch inside the tube. Made of PBT with Glass Fiber and Spring Steel optional see manufactures chart for size recommendation.
Chain:	Plastic, nickel plated steel, stainless steel.
Idle End:	Made from glass fiber reinforced PA6.
Tube:	1 1/2", 1 3/4", 2", 2 3/8" hollow extruded aluminum(6063-T5) tube.
Square Fascia:	Square front, 4"x 2 3/4" extruded aluminum(6063-T5). Colors: White, Bronze, Alabaster, Anodized, Black.
Round Fascia:	Round front, 4"x3 11/32" extruded aluminum(6063-T5). Colors: White, Bronze, Alabaster, Anodized, Black.
Back Fascia:	Square front and back, 4"x1/8" extruded aluminum(6063-T5). Colors: White, Bronze, Alabaster, Anodized, Black.
Brackets:	4" x 4" x 3/4", cold rolled steel ASTM A1008. Wall or ceiling mount.
Spring Assist:	Spring Assembly to assist in raising and lowering of heavy roller shades, used at manufacturers discretion. Mount on the clutch inside the tube. Made of PBT with Glass Fiber and Spring Steel
Fascia End Cap:	ABS, round or square. Colors: White, Bronze, Alabaster, Anodized, Black.
Internal Hembar:	1/8"x1" extruded aluminum 6063-T5 flat stock.
External Hembar:	1 3/6"x9/16" rectangle, 1 1/2"x3/8" rectangle extruded aluminum 6063-T5. Colors: White, Bronze, Alabaster, Anodized, Black. Available at additional cost.
Fabric:	B/O, 1%, 3%, 5%, 8%, 10%, Translucent openness in various colors.
P-Clip Safety Tensioner:	Clear Poly-Carbonite. Shall comply with all safety requirements.
Sizes:	Outside mounted roller shades will be made to exact ordered measurements. Inside mounted roller shades will have 1/8" deducted at the factory from finished width. See Product Limits.

Controls (Manual)	Min. Width	Max. Width	Min. Drop	Max. Drop
Clutch Left or Right	18"	78"	18"	108"
Clutch Left or Right with Spring Assist	36"	156"	18"	240"

	WARNING Window Blind Cord Can STRANGLE Your Child. Keep cords out of children's reach. Shorten cords to prevent reach. Move crib and furniture away – Children can climb furniture to reach cords.
	ADVERTENCIA La cuerda de la persiana puede ESTRANGULAR a su niño. Mantenga las cuerdas fuera del alcance de los niños. Acorte las cuerdas para evitar el al. Mueva la cuna y los muebles – Los niños pueden subir los muebles para alcanzar las c



- A: Bracket Cover
- B: Bracket
- C: Clutch
- D: Idle End
- E: Tube
- F: Chain
- G: Square Fascia
- H: Round Fascia
- I: Back Fascia
- J: Spring
- K: Hembar