



General:	Assembled by A&I Manufacturing, Inc. Environmentally safe.
Operation:	Tubular motor concealed inside roller tube.
Motor:	Totally enclosed, insulated, thermal-overload protection, brake, permanently lubricated bearings and limit switches.
Idle End:	Made from glass fiber reinforced PA6.
Tube:	1 1/2", 1 3/4", 2", 2 3/8" hollow extruded aluminum(6063-T5) tube.
Square Fascia:	Square front, 3"x 2 1/4" extruded aluminum(6063-T5). ABS Plastic. Colors: White, Bronze, Alabaster, Anodized, Black.
Round Fascia:	Round front, 3"x 2 7/8" extruded aluminum(6063-T5). ABS Plastic. Colors: White, Bronze, Alabaster, Anodized, Black.
Square Fascia End Cap:	ABS Plastic. Colors: White, Bronze, Alabaster, Anodized, Black.
Round Fascia End Cap:	ABS Plastic. Colors: White, Bronze, Alabaster, Anodized, Black.
Brackets:	3" x 3" x 3/4", cold rolled steel ASTM A1008. Wall or ceiling mount. Colors: White, Bronze, Alabaster, Anodized, Black
Internal Hembar:	1/8"x 1" extruded aluminum 6063-T5 flat stock.
External Hembar:	1 3/6"x 9/16" rectangle, 1 1/2"x3/8" rectangle extruded aluminum 6063-T5. Colors: White, Bronze, Alabaster, Anodized, Black. Available at extra cost.
Fabric:	B/O, 1%, 3%, 5%, 8%, 10%, Translucent openness in various colors.
Control:	RTS wall Switch, hand held RTS remote, wired wall switch.
Sizes:	Outside mounted roller shades will be made to exact ordered measurements. Inside mounted roller shades will have 1/8" deducted at the factory from finished width. See Product Limits.

Product Limits

Controls (Motor)	Min. Width	Max. Width	Min. Drop	Max. Drop
Motor Left	16"	156"	18"	240"
Motor Right	16"	156"	18"	240"

WARNING **ADVERTENCIA**

Cords on window covering products present a potential strangulation hazard.

Las cuerdas y cadenas y persianas presentan un peligro de estrangulación.

For child safety, consider cordless alternatives or products with inaccessible cords.

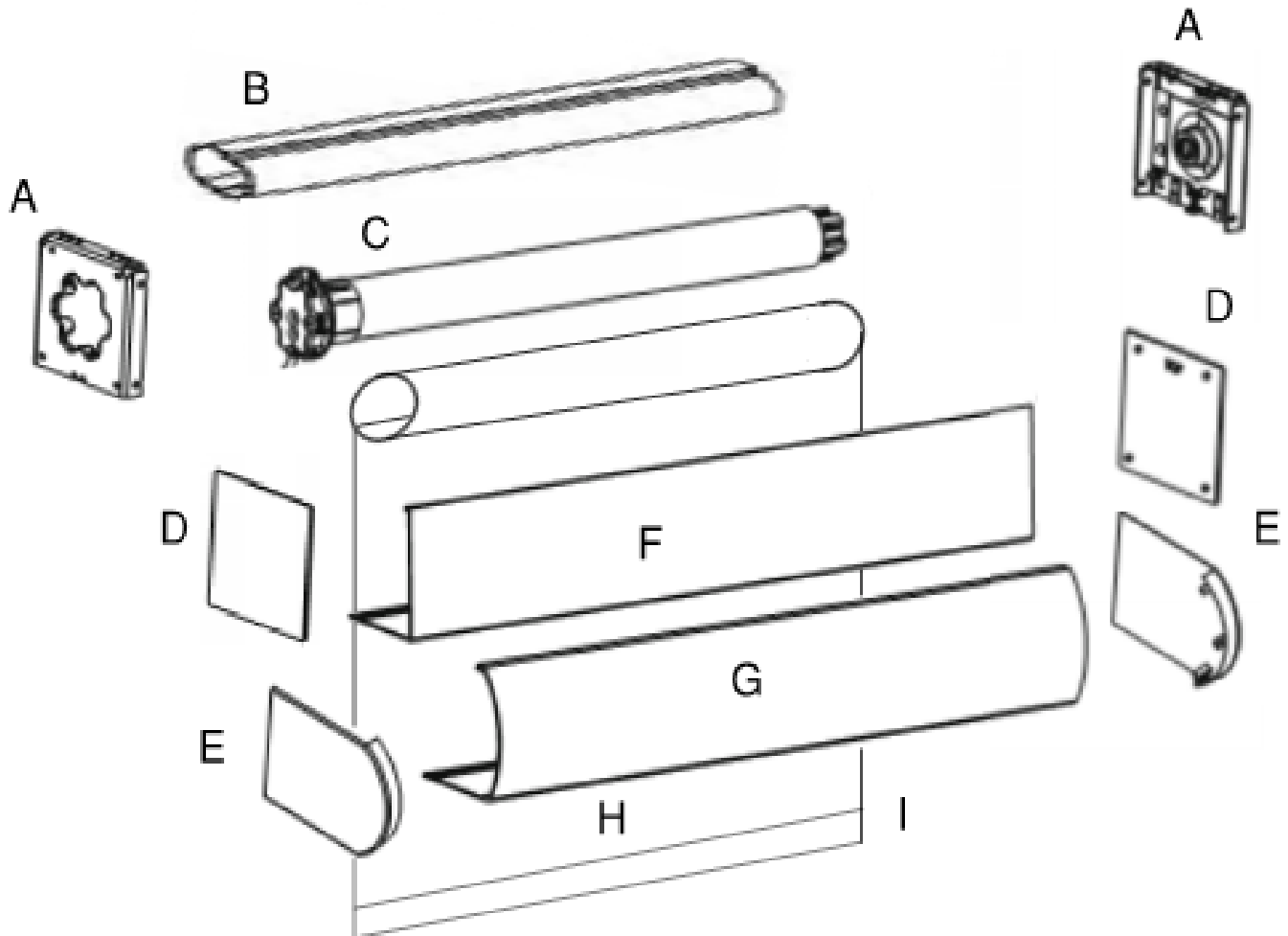
Para la seguridad de los niños, considere alternativas sin cuerdas o productos con cuerdas y cadenas inaccesibles.

SAFLAB-3 04/2013

ANSI/WCMA 5.1.4

SAFLAB-3 04/2013

ANSI/WCMA 5.1.4



- A: Fascia Bracket
- B: Tube
- C: Motor
- D: Square Fascia End Cap
- E: Round Fascia End Cap
- F: Square Fascia
- G: Round Fascia
- H: Fabric
- I: Internal Hem Bar